

T90 SERVICE PARTS POLICY

THE POLICY OF CAMERA SERVICE, TOKYO, IS TO STOCK ALL PARTS NECESSARY TO EFFECT EFFICIENT ECONOMICAL SERVICE. IT IS NEITHER NECESSARY NOR TECHNICALLY FEASIBLE TO STOCK SEPARATELY EVERY PART THAT GOES INTO EACH PRODUCT.

IN ESTABLISHING THE SPARE PARTS LIST, WE CONSIDER REPAIR DIFFICULTY, L COST, SPECIAL TOOL REQUIREMENTS AND INDIVIDUAL PARTS Vs. ASSEMBLED UNIT COST TO DETERMINE IN WHICH FORM PARTS WILL BE STOCKED.

PARTS LINE ITEMS: Approx. 500 (INCLUDING 380 NEW PARTS)

1. THE UNITS LISTED BELOW ARE STOCKED AS UNITS BECAUSE THEY REQUIRE TO OR TECHNICIS NOT NORMALLY AVAILABLE AT FIELD SERVICE LEVEL.

CG1-0860-000	FOCUSING SCREEN E	CG9-2684-000	FRONT COVER ASSY
CG1-0868-000	AUTO DIAPHRAGM UNIT	CG9-2685-000	SELF TIMER LED AS
CG1-0869-000	AE UNIT	CG9-2686-000	SPOOL ASSY
CG9-2670-000	AL COVER ASSY		
CG9-2673-000	DK SENSOR ASSY	CY1-1234-000	DTTL/SPOT FLEX AE
CG9-2675-000	ROLLER HOLDER ASSY	CY1-1248-000	1ST CURTAIN BRAKE
CG9-2679-000	STOP-DOWN MECH. ASSY	CY1-1249-000	2ND CURTAIN BRAKE
CG9-2680-000	EYEPIECE	CY1-1250-000	SHUTTER FLEX ASSY
CG9-2681-000	EYEPIECE SHUTTER ASSY	CY1-1251-000	SHUTTER MAGNET AS

2. IN ADDITION TO THE ABOVE, WHICH ARE STOCKED ONLY AS UNITS, SOME INDIVIDUAL PARTS ARE STOCKED FOR THE FOLLOWING UNITS IN ADDITION TO UNIT.

CG1-0851-000	TOP COVER UNIT	CG9-2677-000	RELEASE BUT./DIAL
CG1-0852-000	BACK COVER UNIT	CG9-2683-000	BATTERY PACK UNIT
CG1-0857-000	MOTOR FLEX UNIT	CG9-2689-000	MIRROR ASSY
CG1-0867-000	MIRROR MECHANISM	CY1-1232-000	REWIND MECH. ASS
CG1-0871-000	SHUTTER UNIT	CY1-1252-000	MAIN FLEX ASSY
CG9-2672-000	MOTOR SIG. BASE ASSY	CY1-1253-000	FINDER FLEX ASSY

3. INDIVIDUAL ELECTRICAL COMPONENTS WHICH MAY REQUIRE REPLACEMENT ARE STOCKED. OTHERS ARE LISTED ON THE SCHEMATIC WITH THEIR SPECIFICATIONS

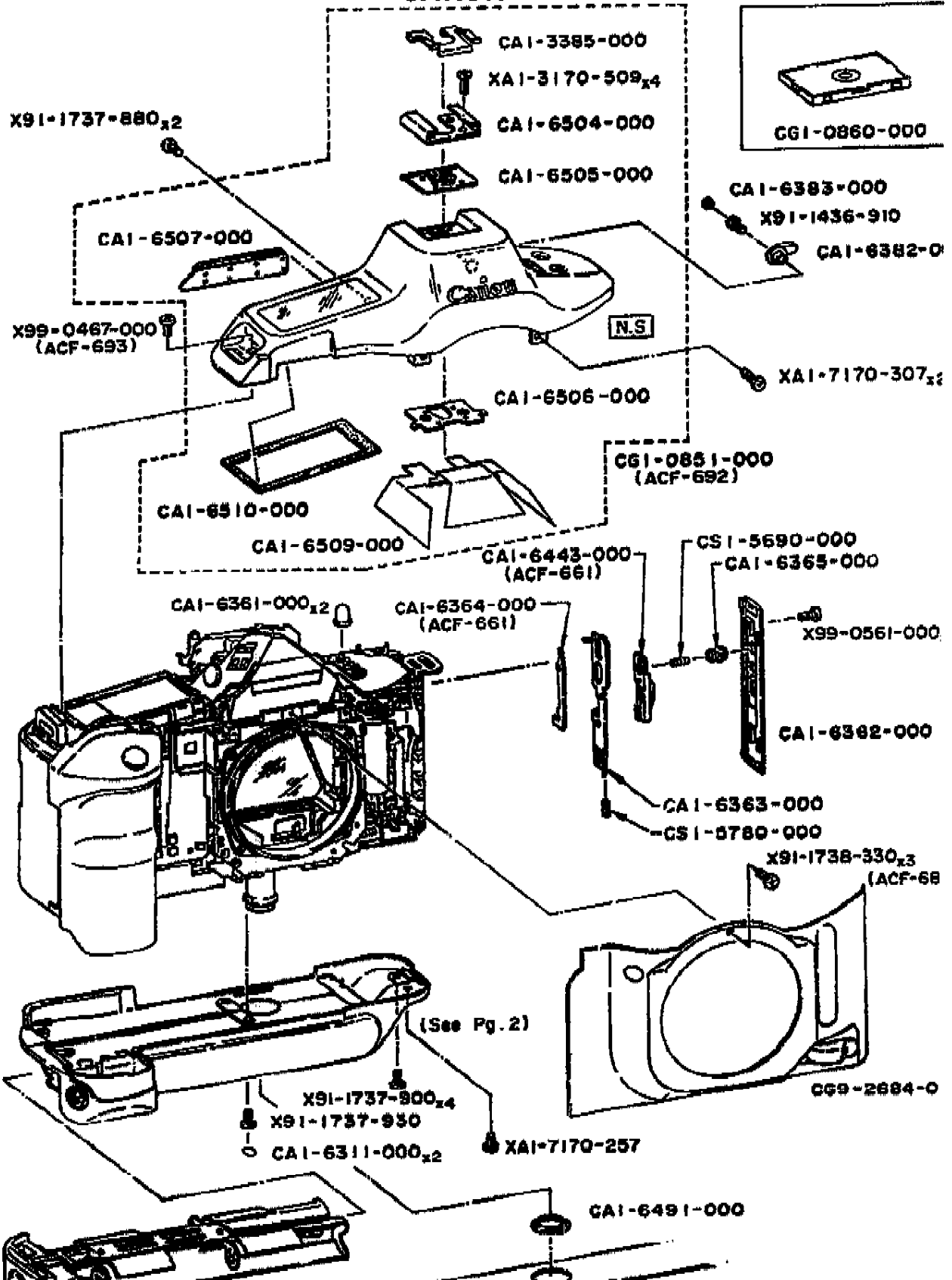
4. THE SPARE PARTS LIST IS ADJUSTED PERIODICALLY TO INSURE THE NECESS PARTS ARE ALWAYS AVAILABLE, AND UNNECESSARY PARTS ARE REMOVED FROM THE STOCK LIST. A COMPLETE REVIEW WILL BE CONDUCTED ONE YEAR AFTER MARKE

5. ASSEMBLIES SHOWN WITH THE **N.S.** MARK ARE SHOWN FOR CLARITY ONLY. THEY ARE NOT STOCKED IN THE FORM SHOWN.

CONTENTS

	PAGE
EXTERNAL PARTS	1
BATTERY CASE	2
GRIP	3
BACK COVER	4
ELECTRONIC INPUT DIAL	5
MAIN FLEX, LCD	6
REWIND PARTS	7
PENTAPRISM UNIT	8
MIRROR BOX I	9
MIRROR BOX II	10
SPOOL, SPROCKET	11
DRIVE UNIT I	12
DRIVE UNIT II	13
BODY PARTS, MINOR	14
SHUTTER UNIT I	15
SHUTTER UNIT II	16
SHUTTER UNIT III	17
PCB DIAGRAM - 1	18
PCB DIAGRAM - 2	19
PCB DIAGRAM - 3	20
WIRING DIAGRAM	21
ELECTRIC PARTS LIST	22-24

CANON T90

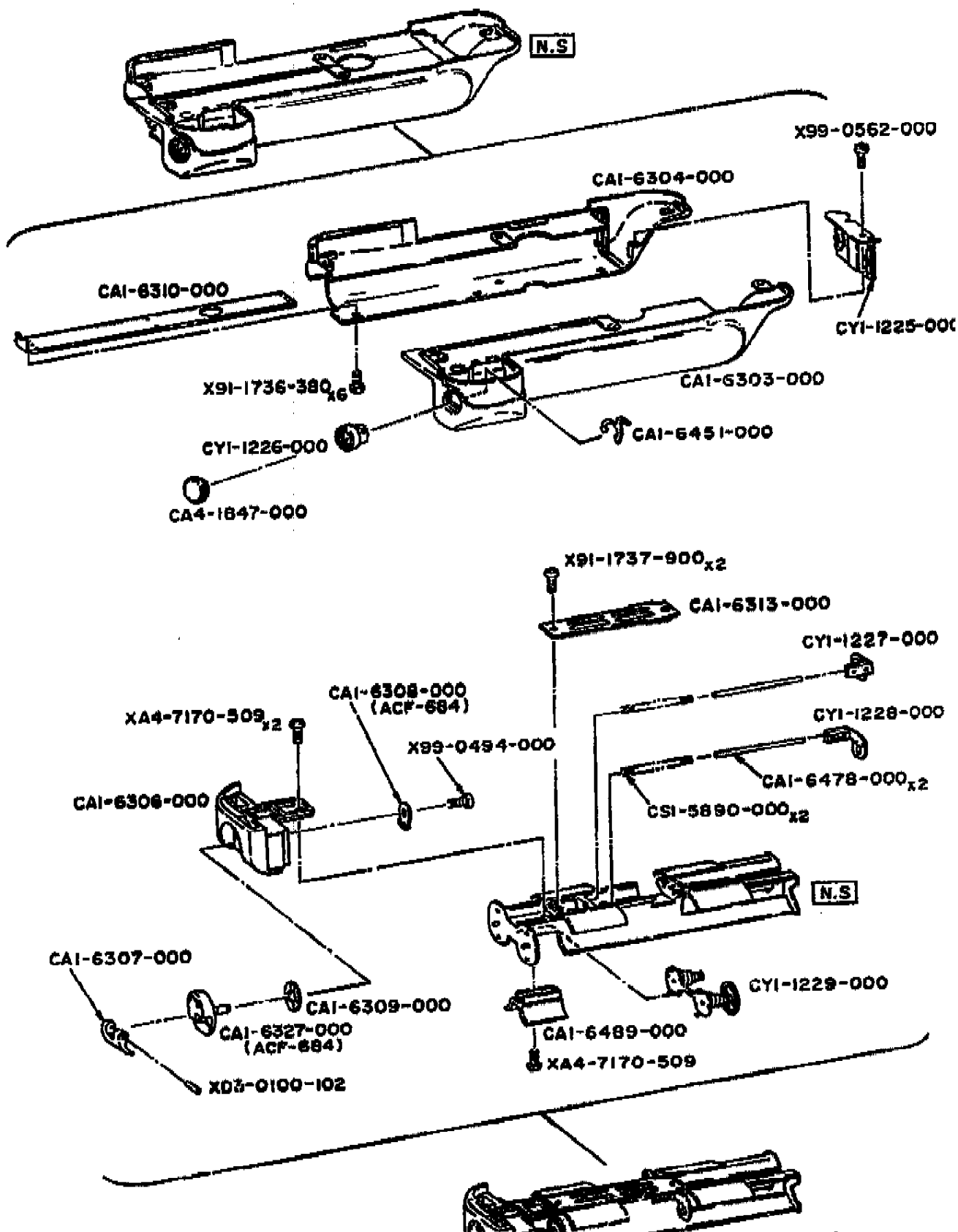


REF. NO. C12-1902

EXTERNAL PARTS

NEW	PARTS NO.	CLASS	QTY	DESCRIPTION
	CA1-3385-000	C	1	SPRING, PLATE (BL)
	CA1-6305-000	C	1	SHEET, RUBBER
	CA1-6311-000	A	2	CAP
	CA1-6361-000	D	2	BUTTON, MODE
	CA1-6362-000	D	1	COVER, HOOK
	CA1-6363-000	E	1	HOOK
	CA1-6364-000	E	1	LEVER, LOCK
	CA1-6365-000	E	1	BUTTON, UNLOCK
	CA1-6382-000	D	1	LEVER, EYEPIECE
	CA1-6383-000	D	1	CAP, EYEPIECE LEVER
	CA1-6443-000	D	1	KNOB, BACK COVER
	CA1-6491-000	C	1	NUT
	CA1-6504-000	D	1	SHOE, ACCESSORY
	CA1-6505-000	E	1	BASE, ACC. SHOE
	CA1-6506-000	E	1	PLATE, SHOE MOUNTING
	CA1-6507-000	D	1	SWITCH, H.S. CONTROL
	CA1-6509-000	E	1	INSULATOR
	CA1-6510-000	E	1	SHIELD, LIGHT
	CG1-0851-000	D	1	TOP COVER UNIT
	CG1-0860-000	D	1	SCREEN E, FOCUSING
	CG9-2884-000	C	1	FRONT COVER ASSY
	CS1-5890-000	D	1	SPRING, COIL
	CS2-5780-000	D	1	SPRING, COIL
	XA1-3170-509		4	SCREW, CROSS-RECESS, FCH
	XA1-7170-257		1	SCREW, CROSS-RECESS, PH
	XA1-7170-307		2	SCREW, CROSS-RECESS, PH
	X91-1436-910		1	SCREW, CROSS-RECESS, PH
	X91-1737-880		2	SCREW, CROSS-RECESS, PH
	X91-1737-900		4	SCREW, CROSS-RECESS, PH
	X91-1737-930		1	SCREW, CROSS-RECESS, PH
	X91-1738-330		3	SCREW, CROSS-RECESS, PH
	X99-0487-000		1	SCREW, CROSS-RECESS, PH
	X99-0561-000		3	SCREW, CROSS-RECESS, PH

CANON T90

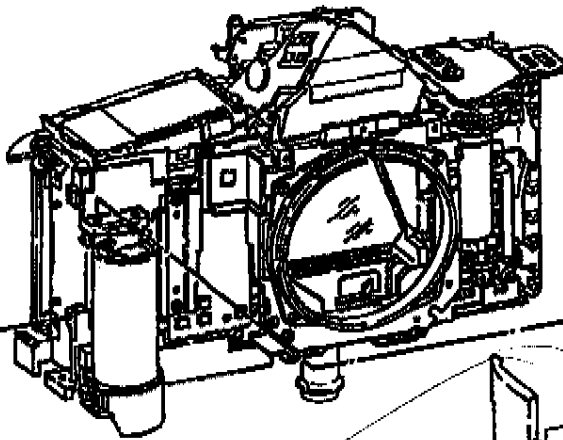
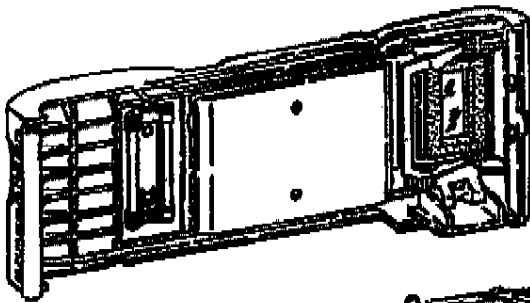


REF. NO. C12-1902

BATTERY CASE

NEW	PARTS NO.	CLASS	QTY	DESCRIPTION
	CA1-6303-000	D	1	CASE-1, BATTERY
	CA1-6304-000	D	1	CASE-2, BATTERY
	CA1-6306-000	D	1	HOLDER, BATTERY PACK
	CA1-6307-000	C	1	KNOB, BATTERY PACK
	CA1-6308-000	E	1	CLAW, BATTERY PACK
	CA1-6309-000	E	1	WASHER, SPRING
	CA1-6310-000	E	1	GUARD, BATTERY CASE
	CA1-6313-000	E	1	PLATE, BATTERY INDICATION
	CA1-6327-000	D	1	OPENER, BATTERY PACK
	CA1-6451-000	E	1	RETAINER, REMOTE JACK
	CA1-6478-000	E	2	SHAFT
	CA1-6489-000	E	1	SPACER, BATTERY PACK
	CA4-1847-000	D	1	CAP TERMINAL
	CG9-2683-000	C	1	BATTERY PACK ASSY
	CS1-5890-000	E	2	SPRING, COIL
	CY1-1225-000	D	1	BATTERY CONTACT ASSY
	CY1-1226-000	D	1	JACK, REMOTE
	CY1-1227-000	D	1	CONTACT-A, FOOL PROOF
	CY1-1228-000	D	1	CONTACT-B, FOOL PROOF
	CY1-1229-000	D	1	CONTACT, BATTERY
	XA4-7170-509		3	SCREW, CROSS-RECESS, PH
	XD3-0100-102		1	PIN, SPRING TUBULAR
	X91-1730-380		6	SCREW, CROSS-RECESS, PH
	X91-1737-900		2	SCREW, CROSS-RECESS, PH
	X99-0494-000		1	SCREW, CROSS-RECESS, PH
	X99-0562-000		1	SCREW, CROSS-RECESS, PH

CANON T90



CSI-5964-000

CAI-6360-000

X99-0581-000_{x2}

CAI-6339-000

XA1-7170-257,

CAI-6359-000

CSI-6701-000

CSI-5963-000

XA4-6200-459

CAI-6340-000

CAI-6496-000

XA4-8200-707_{x2}

CAI-6414-000

CH2-5005-000

NS (ACF-678,693)

X91-2024-890_{x2}

X99-0570-000

CAI-6498-000

CAI-6329-080

CAI-6330-000

CAI-6335-000

CAI-6338-000

CSI-5878-000

X68-1100-571

X99-0494-000

CYI-1230-000

X68-1100-571

CSI-5878-000

CYI-1231-000

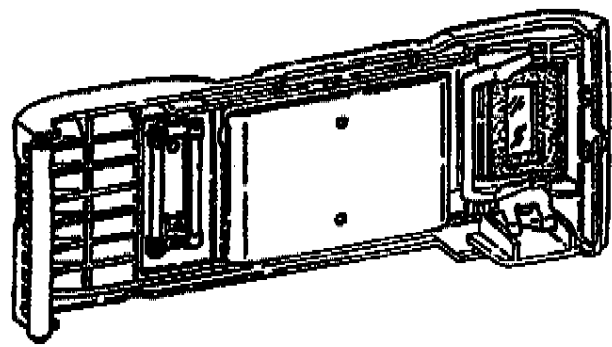
P A R T S L I S T

REF. NO. C12-1902

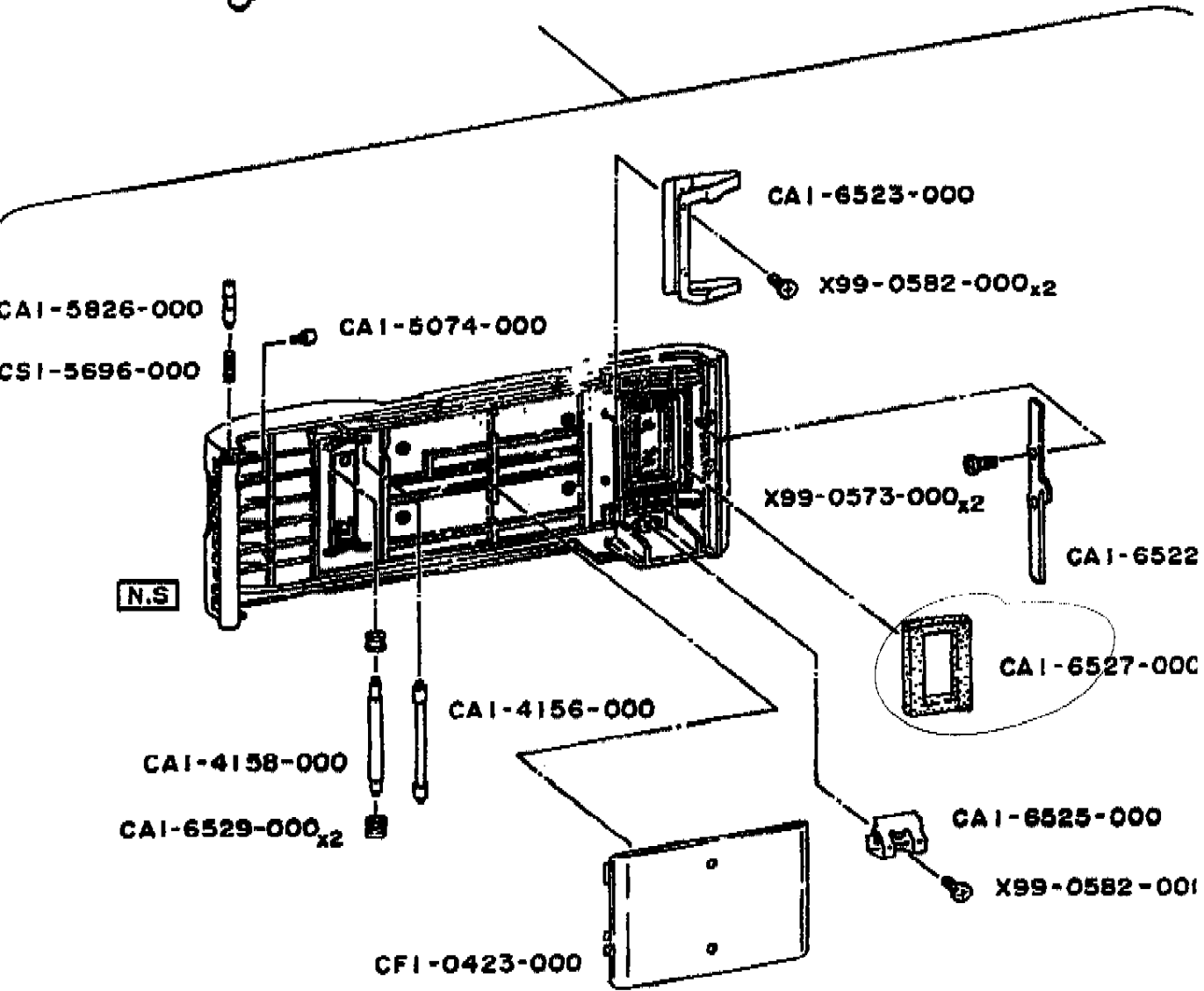
GRIP

NEW	PARTS NO.	CLASS	QTY	DESCRIPTION
	CA1-6329-080	E	1	SWITCH PANEL
	CA1-6330-000	E	1	BUTTON, LCD OFF
	CA1-6334-000	E	1	KNOB, AS-ST CHANGE
	CA1-6335-000	E	1	BUTTON, AS-ST MODE
	CA1-6338-000	E	1	SCREW, SHAFT
	CA1-6339-000	D	1	GRIP
	CA1-6340-000	E	1	COVER, GRIP
	CA1-6359-000	D	1	GRIP, PALM
	CA1-6360-000	E	1	BAR, PALM GRIP
	CA1-6414-000	E	1	HINGE, BACK COVER
	CA1-6496-000	E	1	TAPE, GRIP
	CA1-6498-000	E	1	LUG, NECK STRAP
	CH2-5005-000	D	1	CONTACT, RUBBER
	CS1-5878-000	D	2	SPRING, COIL
	CS1-5963-000	E	1	SPRING, COIL
	CS1-5964-000	E	1	SPRING, COIL
	CS1-8701-000	E	1	SPRING
	CY1-1230-000	D	1	PLATE, F. INDICATOR CLICK
	CY1-1231-000	D	1	PLATE, AS-ST CLICK
	XA1-7170-257		3	SCREW, CROSS-RECESS, PH
	XA4-6200-459		1	SCREW, CROSS-RECESS, PH
	XA4-6200-707		2	SCREW, CROSS-RECESS, FCH
	XGB-1100-571		2	BALL, STEEL
	X91-2024-890		2	SCREW, CROSS-RECESS, PH
	X98-0494-000		1	SCREW, CROSS-RECESS, PH
	X99-0570-000		2	SCREW, CROSS-RECESS, PH
	X99-0581-000		2	SCREW, CROSS-RECESS, PH

CANON T90



CGI-0852-000



P A R T S L I S T

REF. NO. C12-1902

BACK COVER

NEW	PARTS NO.	CLASS	QTY	DESCRIPTION
	CA1-4156-000	D	1	GUIDE, FILM
	CA1-4158-000	D	1	ROLLER
	CA1-5074-000	E	1	SCREW, STOPPER
	CA1-5826-000	D	1	SHAFT, HINGE
	CA1-6522-000	E	1	CLAW, BACK COVER
	CA1-6523-000	E	1	HOLDER, FILM MAGAZINE
	CA1-6525-000	E	1	PLATE, SPRING
	CA1-6527-000	D	1	<u>SHIELD, LIGHT</u>
	CA1-6529-000	E	2	HOLDER, FILM ROLLER
	CF1-0423-000	D	1	PLATE, PRESSURE
	CG1-0852-000	D	1	BACK COVER UNIT
	CS1-5896-000	D	1	SPRING, COIL
	X99-0573-000		2	SCREW, CROSS-RECESS, PH
	X99-0582-000		3	SCREW, CROSS-RECESS, PH

CANON T90



CG9-2677-000

Rotated 180°

CA1-6486-000

CA1-6342-000

CA1-6346-000

CHI-0501-000

X99-0494-000

XG8-1100-582

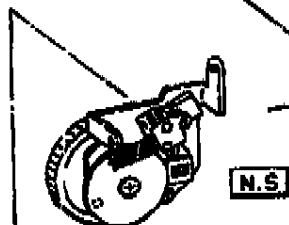
CS1-5879-000(001)
CS1-5879-000(002) For Service Parts Only
(ACF-673)

CA1-6345-000

X89-0580-000

CA1-6347-000

X99-0580-000₂



N.S.

X91-1736-120

CA1-6487-000

CA1-6355-000

CA1-6352-000

CA1-6354-000

CA1-6352-000

CA1-6353-000

CA1-6351-000

X99-0360-000

CA1-6350-000

X99-0496-000

CA1-6358-000

CA1-5856-000

CA1-6357-000

XAI-7170-209₂

XD2-1200-152

CA1-4177-000(002)

CA1-6341-000

CA1-6356-000

CA1-6349-000

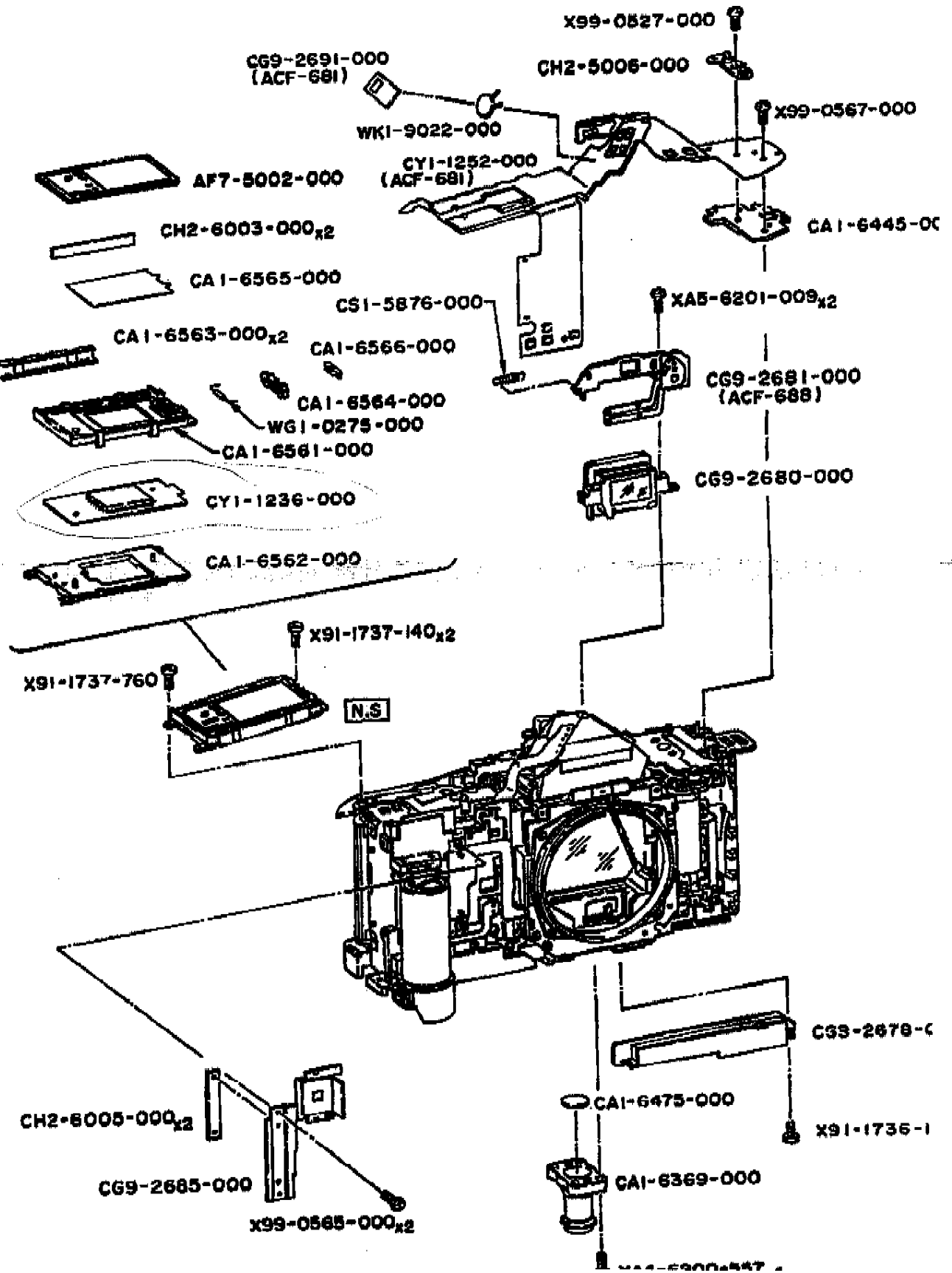
P A R T S L I S T

REF. NO. C12-1902

ELECTRONIC INPUT DIAL

NEW	PARTS NO.	CLASS	QTY	DESCRIPTION
	CA1-4177-000(002)	D	1	C RING
	CA1-5856-000	C	1	INSULATOR
	CA1-6341-000	D	1	HEAD, DIAL
	CA1-6342-000	E	1	DIAL, MODE CHANGE
	CA1-6345-000	D	1	CONTACT, DIAL
	CA1-6346-000	E	1	PLATE, CLICK
	CA1-6347-000	E	1	HOLDER, CLICK
	CA1-6349-000	C	1	BUTTON, RELEASE
	CA1-6350-000	E	1	BASEPLATE, RELEASE SW
	CA1-6351-000	E	1	BASE, RELEASE CONTACT
	CA1-6352-000	E	2	INSULATOR
	CA1-6353-000	E	1	CONTACT, RELEASE GND
	CA1-6354-000	E	1	CONTACT, SW-1
	CA1-6355-000	E	1	CONTACT, SW-2
	CA1-6356-000	C	1	BUTTON, SPOT
	CA1-6357-000	E	1	CONTACT, SPOT GND
	CA1-6358-000	E	1	CONTACT, SPOT
	CA1-6486-000	D	1	RING, DIAL
	CA1-6487-000	E	1	INSULATOR
	CG9-2677-000	D	1	RELEASE BUTTON/DIAL ASSY
	PH1-0501-000	E	1	BOARD, CONTACT
	CS1-5879-000(001)	D	1	SPRING, COIL
	CS1-5879-000(002)	D	1	SPRING, COIL
	KA1-7170-209		2	SCREW, CROSS-RECESS, PH
	XD2-1200-152		1	E RING
	XG8-1100-582		1	BALL, STEEL
	X91-1736-120		1	SCREW, CROSS-RECESS, PH
	X99-0494-000		1	SCREW, CROSS-RECESS, PH
	X99-0496-000		1	SCREW, CROSS-RECESS, PH
	X99-0560-000		2	SCREW, CROSS-RECESS, PH
	X99-0580-000		3	SCREW, CROSS-RECESS, PH

CANON T90



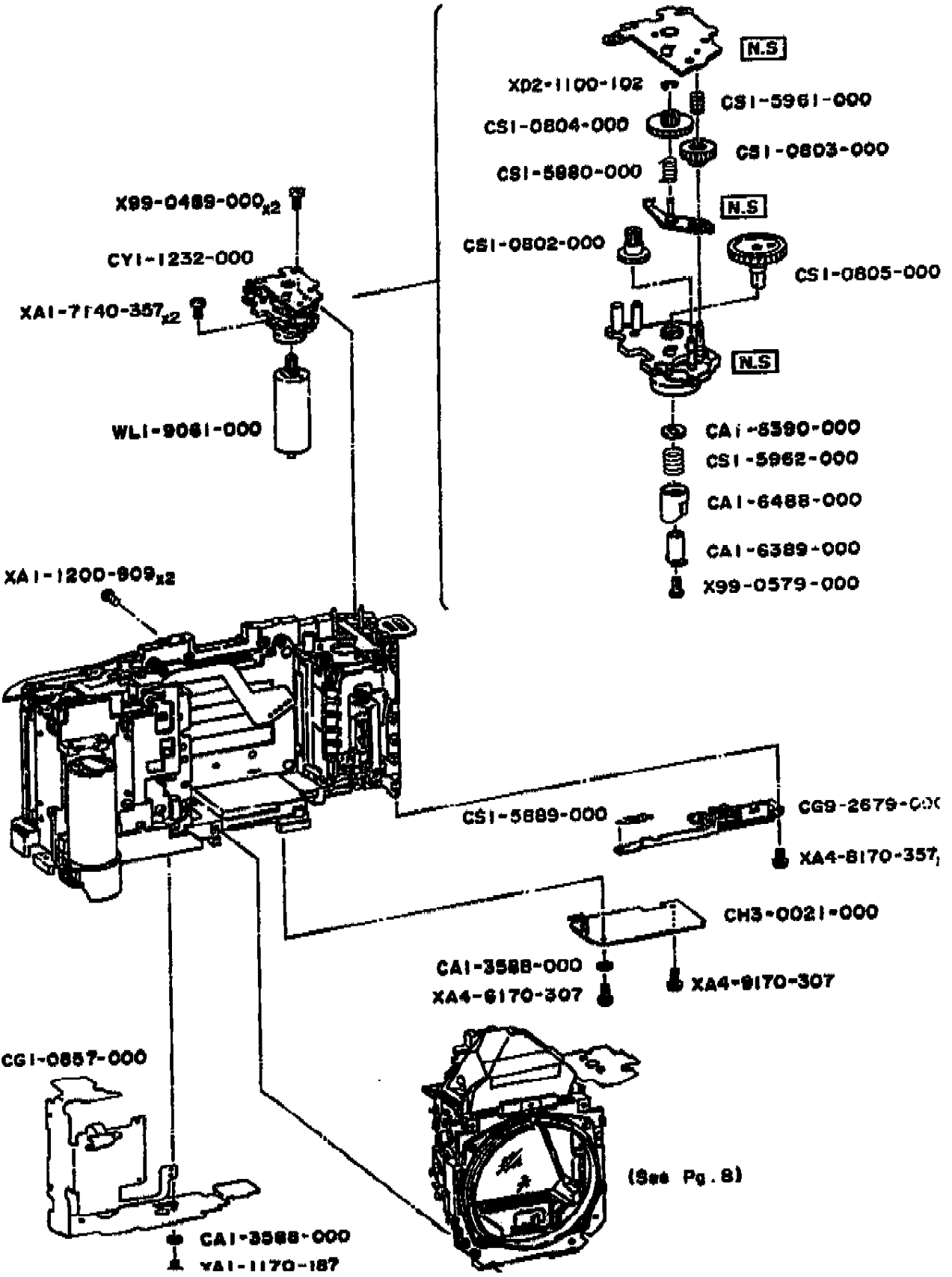
P A R T S L I S T

REF. NO. C12-1902

MAIN FLEX, LCD

NEW	PARTS NO.	CLASS	QTY	DESCRIPTION
	AF7-5002-000	E	1	LCD, EXTERNAL
	CA1-6369-000	E	1	SOCKET, TRIPOD
	CA1-6445-000	E	1	BASE, MODE SW
	CA1-6475-000	E	1	CAP, TRIPOD
	CA1-6561-000	E	1	CASE, OLC
	CA1-6562-000	E	1	BASEPLATE, OLC
	CA1-6563-000	E	2	HOLDER, OLC
	CA1-6564-000	E	1	CASE, OLC LAMP
	CA1-6565-000	E	1	REFLECTOR, OLC LIGHT
	CA1-6566-000	E	1	FRAME, OLC LIGHT
	CG9-2678-000	D	1	MAIN SWITCH ASSY
	CG9-2680-000	D	1	EYEPIECE
	CG9-2681-000	E	1	EYEPIECE SHUTTER ASSY
	CG9-2685-000	E	1	SELF-TIMER LED ASSY
	CG9-2691-000	E	1	RESET FLEX ASSY
	CH2-5006-000	D	1	SWITCH, MODE
	CH2-6003-000	E	2	CONNECTOR, OLC
	CH2-6005-000	D	2	CONNECTOR
	CS1-5876-000	E	1	SPRING, COIL
	CY1-1236-009	D	1	OLC PCB ASSY
	CY1-1252-000	D	1	MAIN FLEX ASSY
	WG1-0275-000	D	1	LAMP, SMALL 4XL-32
	WK1-9022-000	E	1	LI. BAT.
	XA4-6200-557		4	SCREW, CROSS-RECESS, PH
	XA5-6201-009		2	SCREW, CROSS-RECESS, PH
	X91-1736-130		2	SCREW, CROSS-RECESS, PH
	X91-1737-140		2	SCREW, CROSS-RECESS, PH
	X91-1737-760		1	SCREW, CROSS-RECESS, PH
	X99-0527-000		1	SCREW, CROSS-RECESS, PH
	X99-0565-000		2	SCREW, CROSS-RECESS, PH
	X99-0667-000		1	SCREW, CROSS-RECESS, PH

CANON T90



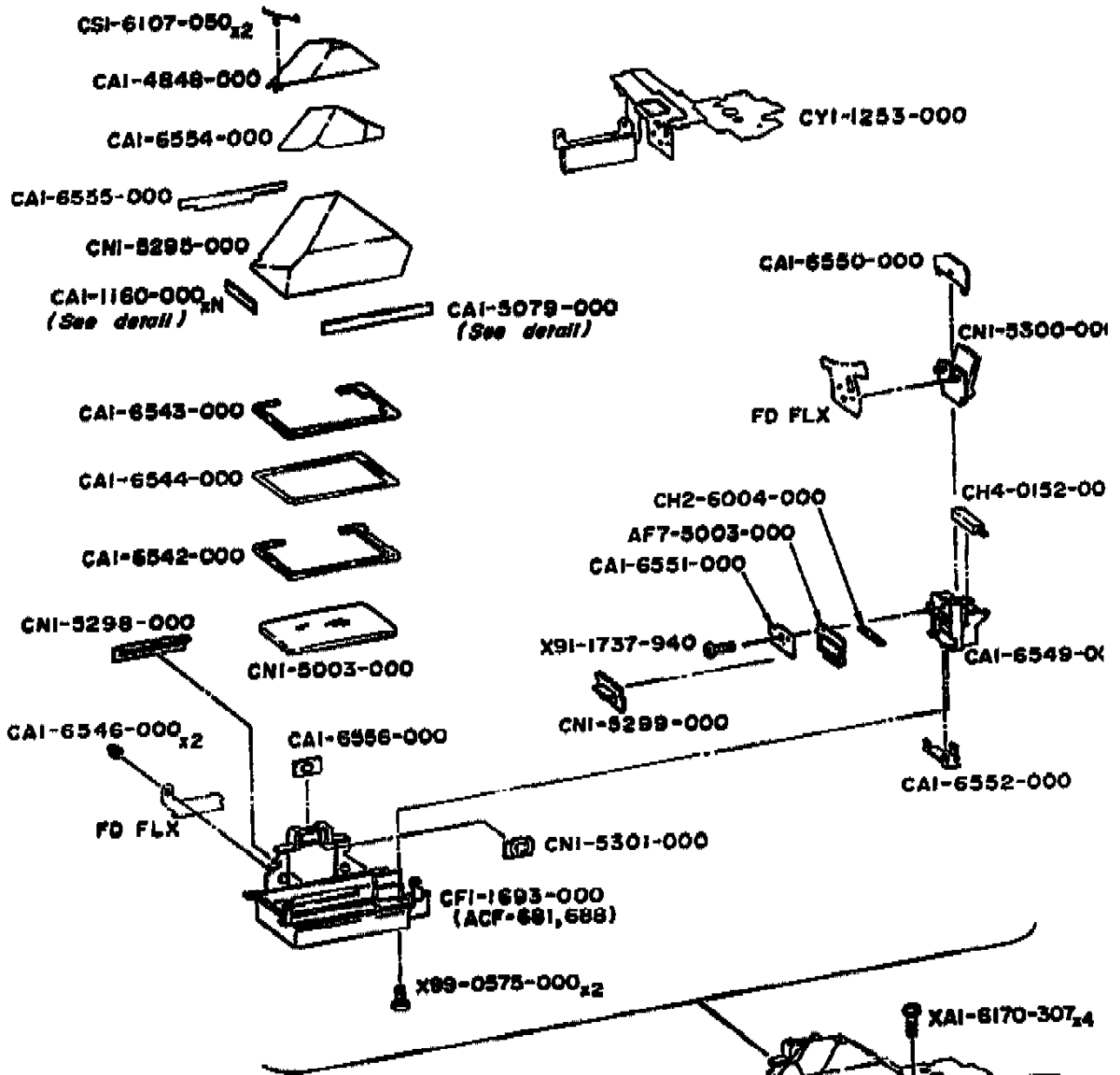
P A R T S L I S T

REF. NO. C12-1902

REWIND PARTS

NEW	PARTS NO.	CLASS	QTY	DESCRIPTION
	CA1-3588-000	D	2	WASHER
	CA1-6389-000	E	1	SHAFT, REWIND FORK
	CA1-8300-000	E	1	SPACER
	CA1-6488-000	D	1	FORK, REWIND
	CG1-0857-000	D	1	MOTOR FLEX ASSY
	CG9-2879-000	E	1	STOP-DOWN MECH. ASSY
	CH3-0021-000	D	1	CONVERTER, DC/DC
	CS1-0802-000	E	1	GEAR, RW
	CS1-0803-000	E	1	GEAR, RW-S
	CS1-0804-000	E	1	GEAR, RW-P
	CS1-0805-000	D	1	GEAR, FORK
	CS1-5880-000	E	1	SPRING, COIL
	CS1-5889-000	E	1	SPRING, COIL
	CS1-5961-000	E	1	SPRING, COIL
	CS1-5982-000	E	1	SPRING, COIL
	CY1-1232-000	E	1	REWIND MECH. ASSY
	WL1-9061-000	D	1	MOTOR, REWINDING
	XA1-1170-187		1	SCREW, CROSS-RECESS, PH
	XA1-1200-008		2	SCREW, CROSS-RECESS, PH
	XA1-7140-957		2	SCREW, CROSS-RECESS, PH
	XA4-8170-307		1	SCREW, CROSS-RECESS, PH
	XA4-8170-357		2	SCREW, CROSS-RECESS, FCH
	XA4-8170-307		1	SCREW, CROSS-RECESS, PH
	XD2-1100-102		1	E RING
	X99-0489-000		2	SCREW, CROSS-RECESS, PH
	X99-0550-000		2	SCREW, SLOTTED, OFH
	X99-0579-000		1	SCREW, CROSS-RECESS, PH

CANON T90



CAI-1160-000 detail

A	SIZE
	0.10 mm (010)
	0.20 mm (020)
	0.25 mm (025)
	0.30 mm (030)
	0.35 mm (035)

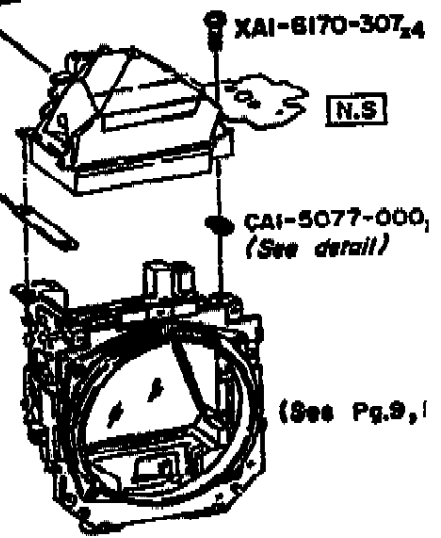
CAI-5079-000 detail

A	SIZE
	0.30 mm (030)
	0.50 mm (050)

CAI-5077-000
 CAI-6449-000 detail

A	SIZE	A	SIZE
	0.05 mm (005)		0.25 mm (025)
	0.10 mm (010)		0.30 mm (030)
	0.15 mm (015)		0.35 mm (035)

CAI-6449-000 (See detail)

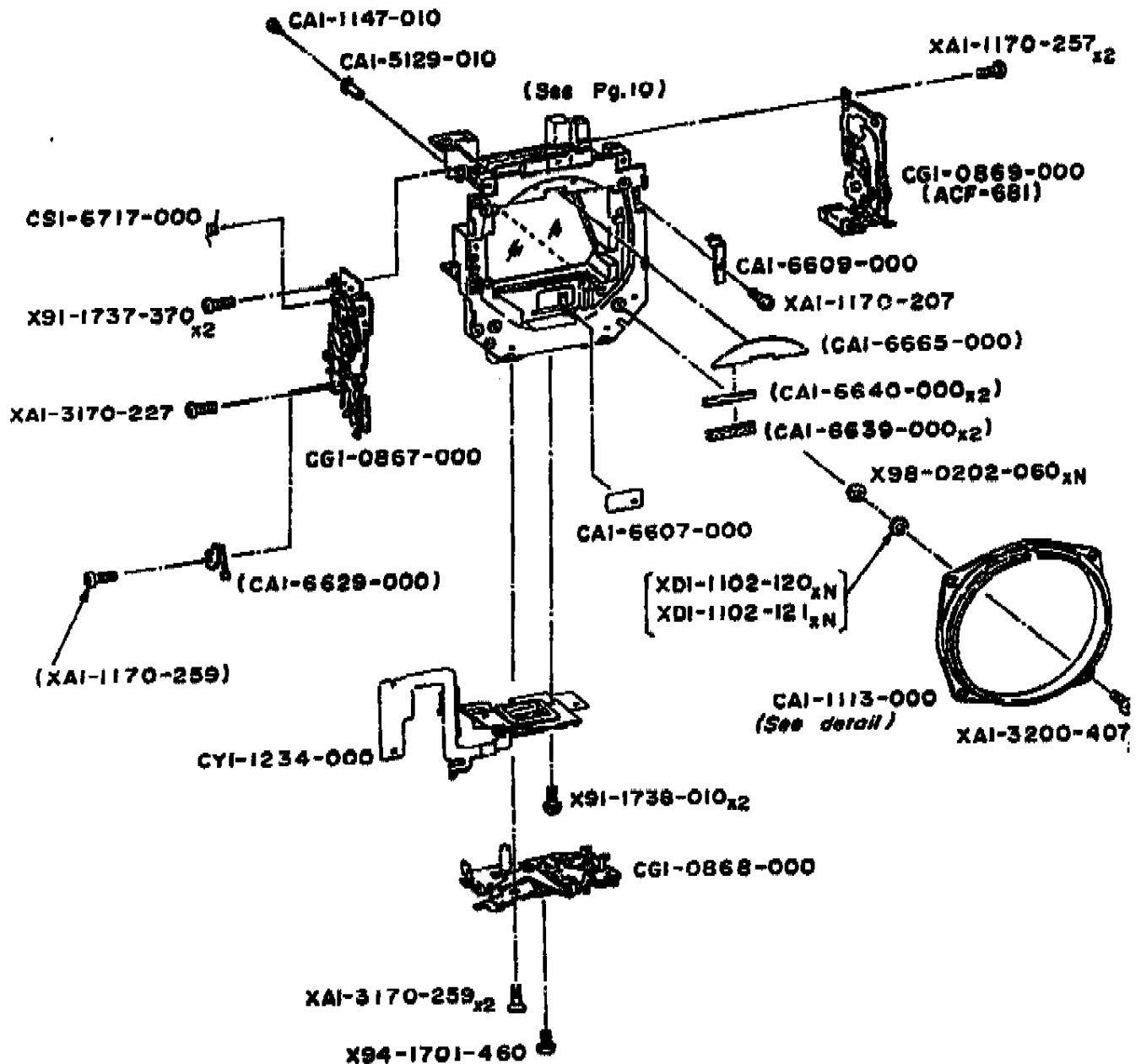


REF. NO. C12-1902

PENTAPRISM UNIT

NEW	PARTS NO.	CLASS	QTY	DESCRIPTION
	AF7-5003-000	E	1	LCD, INTERNAL
	CA1-1160-000 (XXX)	E	1	SPACER
	CA1-4848-000	E	1	HOLDER, PENTAPRISM
	CA1-5077-000 (XXX)	E	2	WASHER
	CA1-5079-000 (XXX)	D	1	SPACER
	CA1-6449-000 (XXX)	E	1	WASHER, ADJUSTING
	CA1-6542-000	E	1	HOLDER, CONDENSER LENS
	CA1-6543-000	E	1	SPACER, PENTAPRISM
	CA1-6544-000	E	1	MASK, FINDER
	CA1-6546-000	E	2	NUT
	CA1-6549-000	E	1	BASE, ILC
	CA1-6560-000	E	1	HOLDER, LIGHT GUIDE
	CA1-6551-000	E	1	HOLDER, ILC
	CA1-6552-000	E	1	HOLDER, F. INFORMATION PRISM
	CA1-6554-000	E	1	COVER, PENTAPRISM
	CA1-6555-000	E	1	SHIELD, LIGHT
	CA1-6556-000	E	1	PANEL, DIFFUSION
	CF1-1693-000	E	1	BOX, PENTAPRISM
	CH2-6004-000	D	1	CONNECTOR
	CH4-0152-000	D	1	LED LS007C
	CN1-5003-000	D	1	LENS, CONDENSER
	CN1-5295-000	D	1	PENTAPRISM
	CN1-5298-000	D	1	PRISM, LED INFORMATION
	CN1-5299-000	D	1	PRISM, ILC INFORMATION
	CN1-5300-000	E	1	PRISM, LIGHT GUIDE
	CN1-5301-000	E	1	LENS, PARTIAL METERING
	CS1-8107-050	E	2	SPRING
	CY1-1253-000	D	1	FINDER FLEX ASSY
	XA1-8170-307		4	SCREW, CROSS-RECESS, PH
	X91-1737-940		1	SCREW, CROSS-RECESS, PH
	X99-0575-000		2	SCREW, CROSS-RECESS, PH

CANON T90



CAI-1113-000 detail



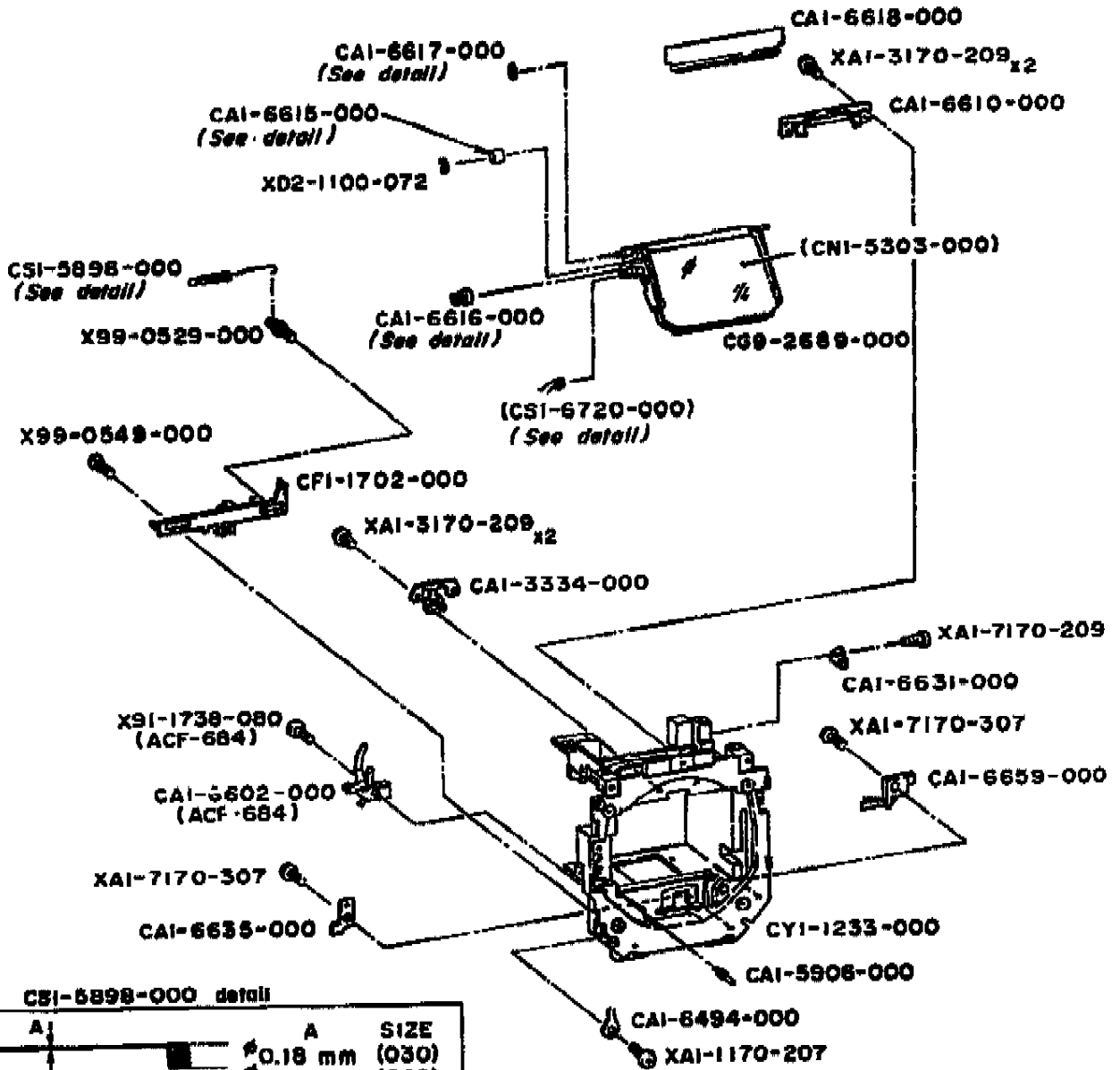
P A R T S L I S T

REF. NO. C12-1902

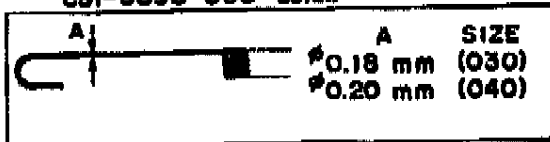
MIRROR BOX I

NEW	PARTS NO.	CLASS	QTY	DESCRIPTION
	CA1-1113-000(XXX)	D	1	BODY MOUNT
	CA1-1147-010	D	1	SCREW, MAX. APERTURE CORRECT
	CA1-5129-010	D	1	PIN, MAX. APERTURE CORRECTIO
	CA1-6607-000	C	1	PLATE, INDICATOR
	CA1-6609-000	E	1	GUARD, AE BRUSH
	CA1-6629-000	D	1	CONTACT, MIRROR UP-DOWN
	CA1-6639-000	D	2	CUSHION
	CA1-6640-000	E	2	CUSHION
	CA1-6665-000	D	1	SHIELD, LIGHT
	CG1-0867-000	D	1	MIRROR MECHANISM UNIT
	CG1-0868-000	D	1	AUTO DIAPHRAGM UNIT
	CG1-0868-000	D	1	AE UNIT
	CS1-8717-000	E	1	SPRING
	CY1-1234-000	E	1	DTTL/SPOT FLEX ASSY
	XA1-1170-207		1	SCREW, CROSS-RECESS, PH
	XA1-1170-257		2	SCREW, CROSS-RECESS, PH
	XA1-1170-259		1	SCREW, CROSS-RECESS, PH
	XA1-3170-227		1	SCREW, CROSS-RECESS, FCH
	XA1-3170-259		2	SCREW, CROSS-RECESS, FCH
	XA1-3200-407		4	SCREW, CROSS-RECESS, FCH
	XD1-1102-120		1	WASHER
	XD1-1102-121		1	WASHER
	X91-1737-370		2	SCREW, CROSS-RECESS, PH
	X91-1738-010		2	SCREW, CROSS-RECESS, PH
	X94-1701-460		1	SCRE, SLOTTED, FCH
	X98-0202-060		1	WASHER

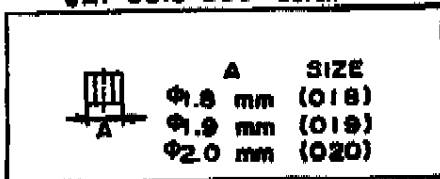
CANON T90



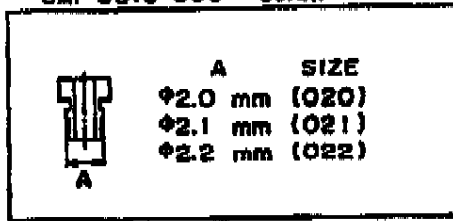
CSI-5898-000 detail



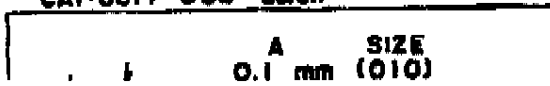
CAI-6615-000 detail



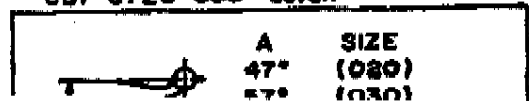
CAI-6616-000 detail



CAI-6617-000 detail



CSI-6720-000 detail

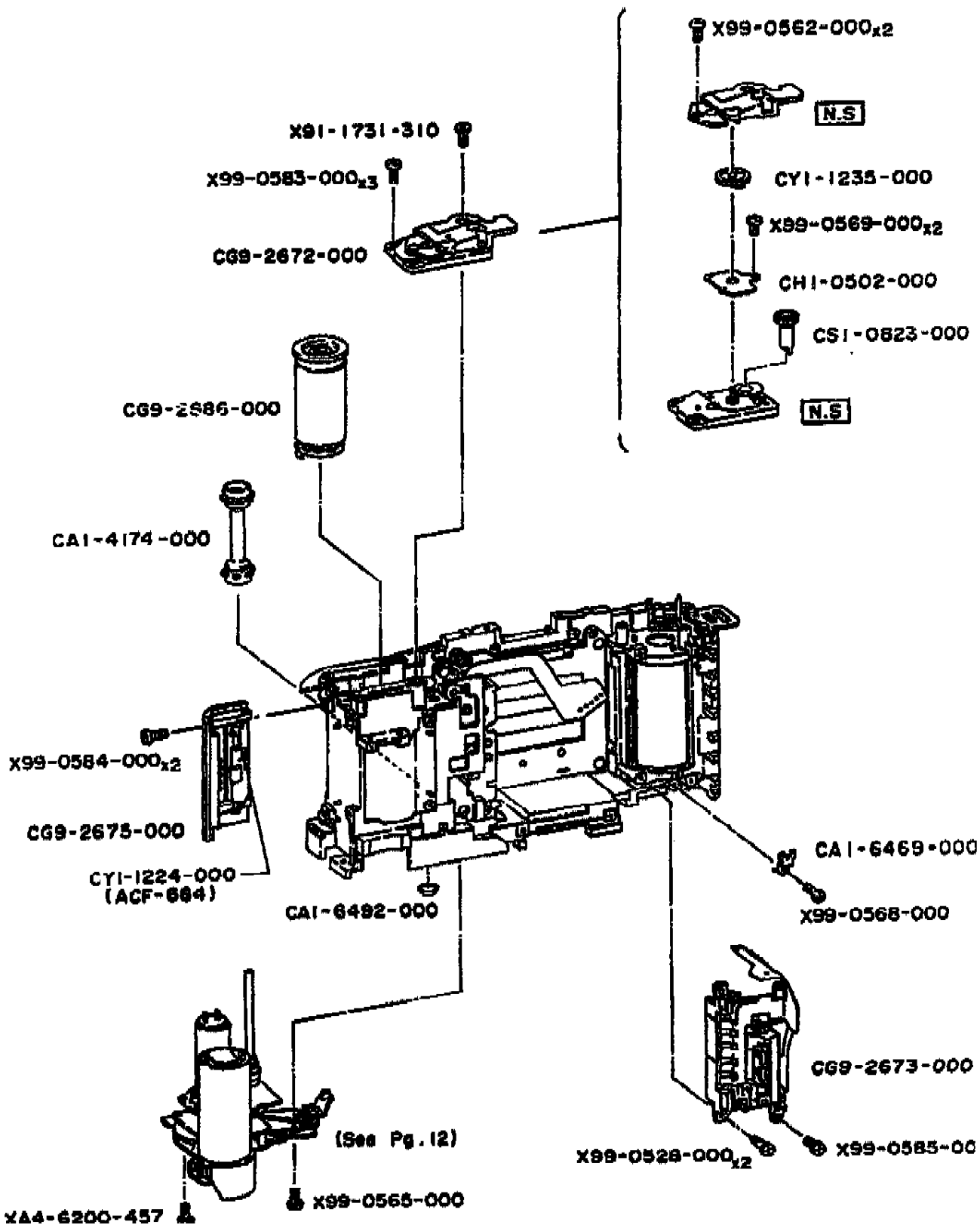


REF. NO. C12-1902

MIRROR BOX II

NEW	PARTS NO.	CLASS	QTY	DESCRIPTION
	CA1-3334-000	C	1	CATCH, FOCUSING SCREEN
	CA1-5906-000	E	1	PIN. A.M.
	CA1-6494-000	E	1	LUG
	CA1-6602-000	E	1	CONTACT, A-M CHANGE
	CA1-6610-000	E	1	BRACKET, FOCUSING SCREEN
	CA1-6615-000 (XXX)	E	1	COLLAR
	CA1-6616-000 (XXX)	E	1	COLLAR, ADJUSTING
	CA1-6617-000 (XXX)	E	1	WASHER
	CA1-6618-000	E	1	SHIELD, LIGHT
	CA1-6631-000	E	1	PLATE, MIRROR POSITIONING
	CA1-6635-000	E	1	GUIDE, SW POSITIONING
	CA1-6659-000	E	1	CONTACT, STOP-DOWN METERING
	CF1-1702-000	E	1	LEVER, STOP-DOWN METERING
	CG9-2689-000	D	1	MIRROR ASSY
	GN1-5303-000	D	1	MIRROR
	CS1-5898-000 (XXX)	E	1	SPRING
	CS1-6720-000 (XXX)	E	1	SPRING
	CY1-1233-000	E	1	PANEL, FRONT
	XA1-1170-207		1	SCREW, CROSS-RECESS, PH
	XA1-3170-209		4	SCREW, CROSS-RECESS, FCH
	XA1-7170-209		1	SCREW, CROSS-RECESS, PH
	XA1-7170-307		3	SCREW, CROSS-RECESS, PH
	XD2-1100-072		1	E RING
	X91-1738-080		1	SCREW, CROSS-RECESS, PH
	X99-0529-000		1	SCREW, SLOTTED, SHOULDER
	X99-0549-000		1	SCREW, SLOTTED, SHOULDER

CANON T90

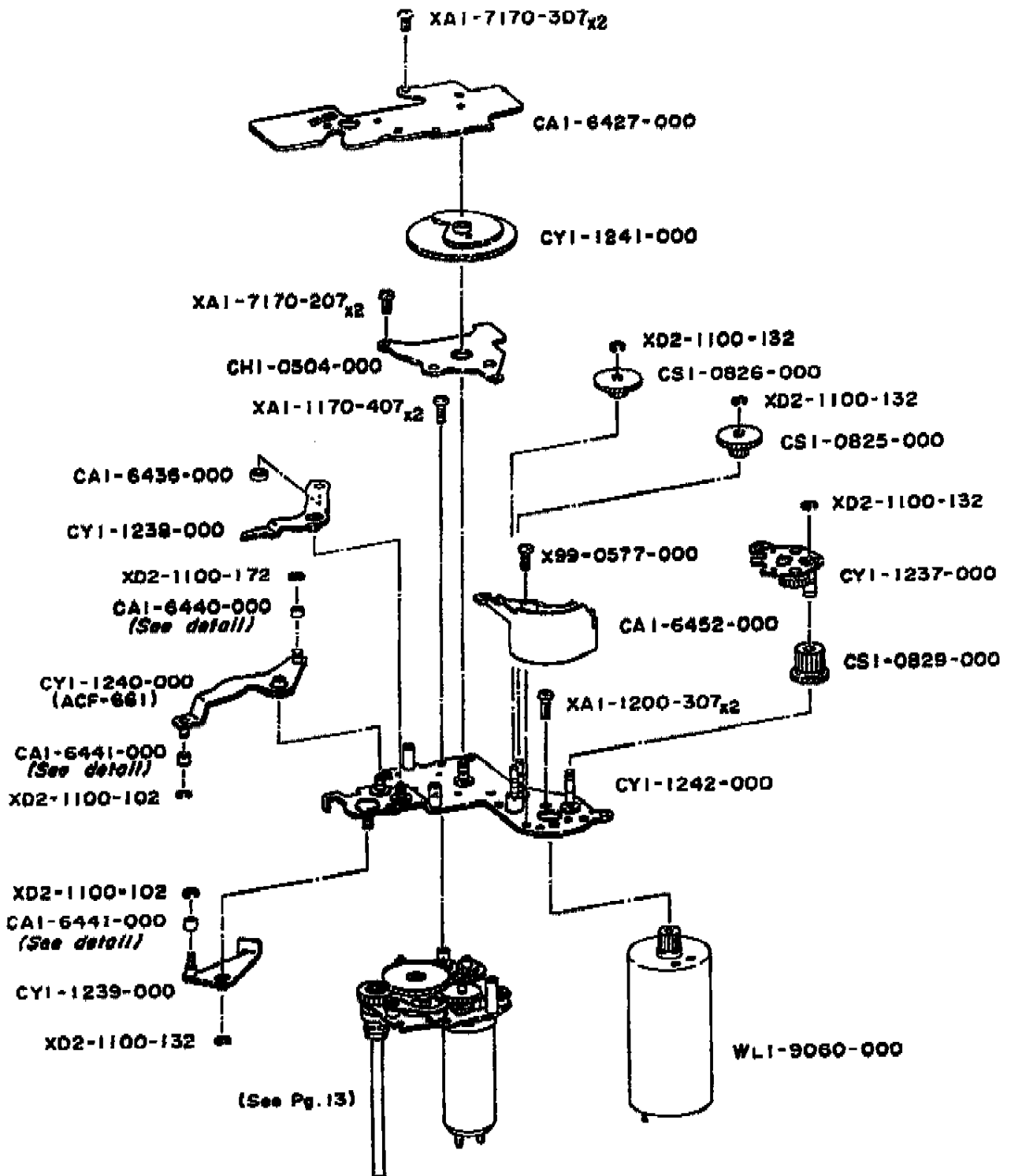


REF. NO. C12-1902

SPOOL, SPROCKET

NEW	PARTS NO.	CLASS	QTY	DESCRIPTION
	CA1-4174-000	E	1	SPROCKET
	CA1-6469-000	E	1	CONTACT, FILM MAGAZINE
	CA1-6492-000	D	1	WASHER
	CG9-2672-000	D	1	MOTOR SIGNAL BASE ASSY
	CG9-2673-000	D	1	DX SENSOR ASSY
	CG9-2675-000	D	1	ROLLER HOLDER ASSY
	CG9-2686-000	E	1	SPOOL ASSY
	CH1-0502-000	E	1	BOARD, CONTACT
	CS1-0823-000	E	1	GEAR, SPROCKET
	CY1-1224-000	E	1	SPRING, AL COVER (2)
	CY1-1235-000	E	1	GEAR, MOTOR SIGNAL
	XA4-6200-457		1	SCREW, CROSS-RECESS, PH
	X91-1731-310		1	SCREW, CROSS-RECESS, PH
	X99-0528-000		2	SCREW, CROSS-RECESS, SHOULDER
	X99-0562-000		2	SCREW, CROSS-RECESS, PH
	X99-0565-000		1	SCREW, CROSS-RECESS, PH
	X99-0568-000		1	SCREW, CROSS-RECESS, PH
	X99-0569-000		2	SCREW, CROSS-RECESS, PH
	X99-0583-000		3	SCREW, CROSS-RECESS, PH
	X99-0584-000		2	SCREW, CROSS-RECESS, PH
	X99-0585-000		2	SCREW, CROSS-RECESS, PH

CANON T90



CAI-6440-000 detail

Symbol	A	SIZE	A	SIZE
E/A	φ2.6 mm	(026)	φ3.2 mm	(032)
	φ2.8 mm	(028)	φ3.4 mm	(034)
	φ3.0 mm	(030)	φ3.6 mm	(036)

CAI-6441-000 detail

Symbol	A	SIZE	A	SIZE
E/A	φ2.2 mm	(022)	φ3.0 mm	(030)
	φ2.4 mm	(024)	φ3.2 mm	(032)
	φ2.6 mm	(026)	φ3.4 mm	(034)

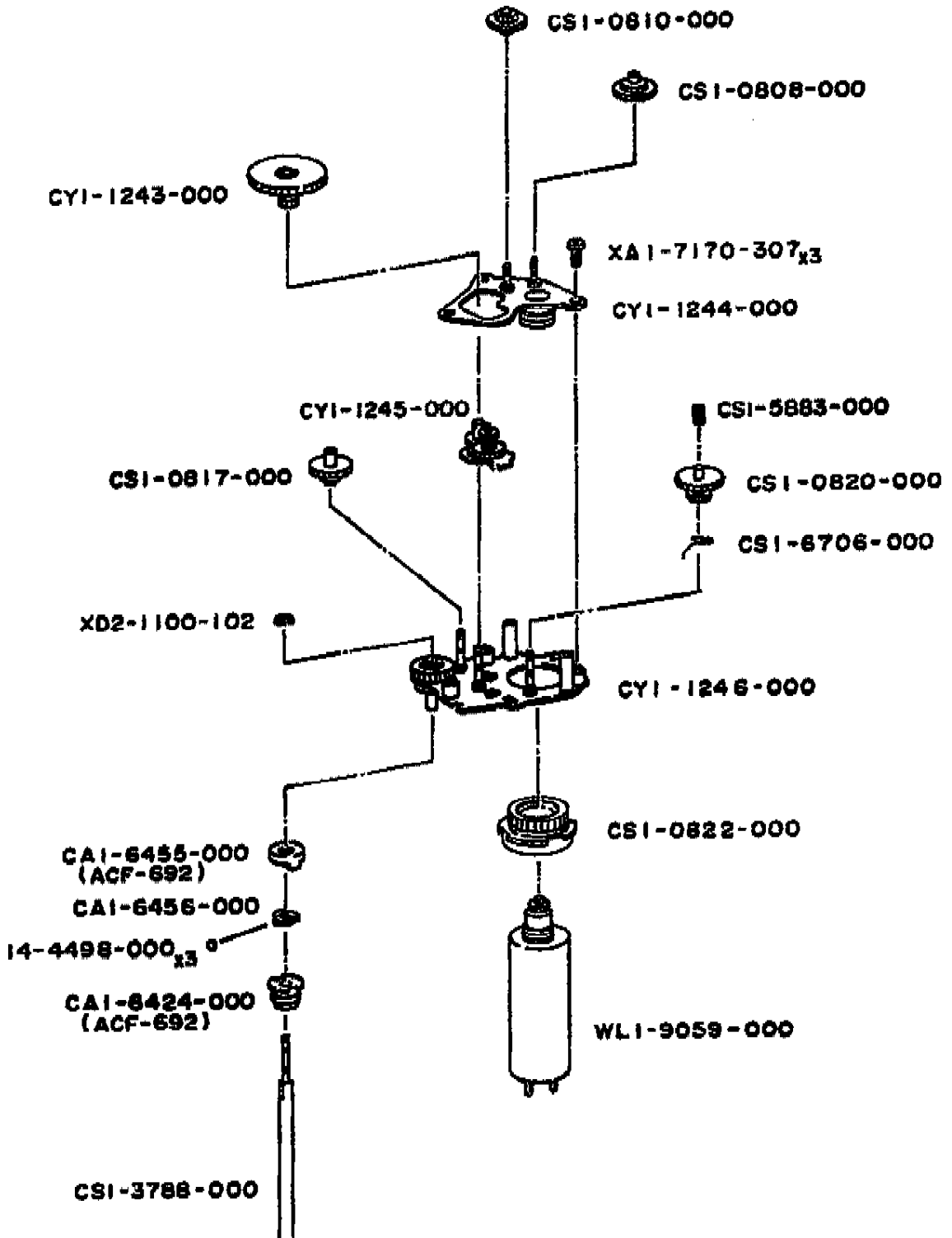
P A R T S L I S T

REF. NO. C12-1902

DRIVE UNIT I

NEW	PARTS NO.	CLASS	QTY	DESCRIPTION
	CA1-6427-000	E	1	PLATE
	CA1-6436-000	E	1	BEARING, BALL
	CA1-6440-000(XXX)	D	1	COLLAR, ADJUSTING
	CA1-6441-000(XXX)	D	2	COLLAR, ADJUSTING
	CA1-6452-000	E	1	GUIDE, WIRE
	CHI-0504-000	E	1	BOARD, CONTACT
	CS1-0825-000	E	1	GEAR, CHARGE-1
	CS1-0826-000	E	1	GEAR, CHARGE-2
	CS1-0829-000	E	1	GEAR, SUN
	CY1-1237-000	E	1	PLANETARY GEAR ASSY
	CY1-1238-000	E	1	LEVER, SHUTTER CHARGE-1
	CY1-1239-000	E	1	LEVER, SHUTTER CHARGE-2
	CY1-1240-000	E	1	LEVER, FRONT PANEL CHARGE
	CY1-1241-000	E	1	GEAR, CHARGE CAM
	CY1-1242-000	E	1	BASEPLATE, CHARGE MECH.
	WL1-9080-000	D	1	MOTOR, CHARGE
	XA1-1170-407		2	SCREW, CROSS-RECESS, PH
	XA1-1200-307		2	SCREW, CROSS-RECESS, PH
	XA1-7170-207		2	SCREW, CROSS-RECESS, PH
	XA1-7170-307		2	SCREW, CROSS-RECESS, PH
	XD2-1100-102		2	E RING
	XD2-1100-132		4	E RING
	XD2-1100-172		1	E RING
	X99-0577-000		1	SCREW, CROSS-RECESS, PH

CANON T90



P A R T S L I S T


REF. NO. C12-1902

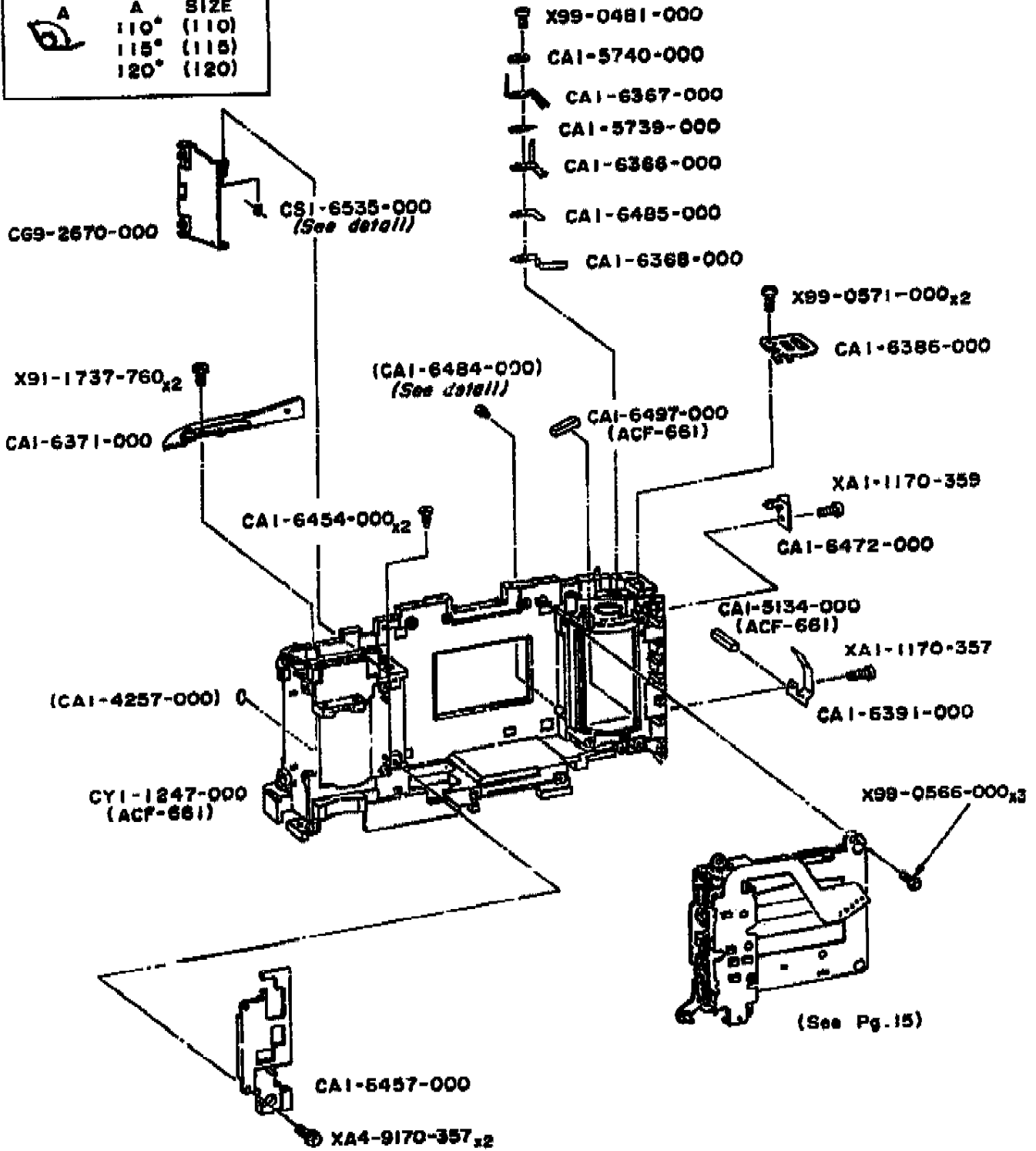
DRIVE UNIT II

NEW	PARTS NO.	CLASS	QTY	DESCRIPTION
	14-4498-000	C	3	BALL, STEEL
	CA1-6424-000	E	1	CLUTCH, ONE WAY
	CA1-6455-000	E	1	CAP, ONE WAY CLUTCH
	CA1-6456-000	E	1	CAM, ONE WAY
	CS1-0808-000	E	1	GEAR, WINDING-2
	CS1-0810-000	E	1	GEAR, WINDING-3
	CS1-0817-000	E	1	GEAR, WINDING-7
	CS1-0820-000	E	1	GEAR, WINDING-9
	CS1-0822-000	E	1	GEAR, WINDING-10
	CS1-3788-000	E	1	SHAFT, SPROCKET
	CS1-5883-000	E	1	SPRING, COIL
	CS1-6706-000	E	1	SPRING
	CY1-1243-000	E	1	GEAR, WINDING-4
	CY1-1244-000	E	1	BASEPLATE, INTERMEDIATE
	CY1-1245-000	E	1	PLANETARY GEAR ASSY
	CY1-1246-000	E	1	BASEPLATE, WINDING MECH.
	WL1-9059-000	D	1	MOTOR, WINDING
	XA1-7170-307		3	SCREW, CROSS-RECESS, PH
	XD2-1100-102		1	E RING


CANON T90

CS1-8535-000 detail

	A	SIZE
	110°	(110)
	115°	(115)
	120°	(120)



CAI-6484-000 detail

	A	SIZE
	2.4 mm	(024)

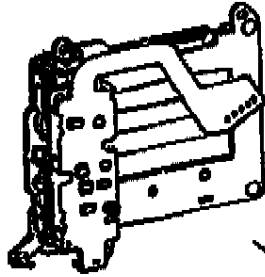
P A R T S L I S T

REF. NO. C12-1902

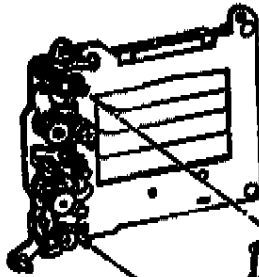
BODY PARTS, MINOR

NEW	PARTS NO.	CLASS	QTY	DESCRIPTION
	CA1-4257-000	D	1	SEAL, FILM
	CA1-5134-000	E	1	LIGHT SHIELD
	CA1-5739-000	D	1	INSULATOR
	CA1-5740-000	D	1	SPACER
	CA1-6366-000	D	1	CONTACT, BACK COVER
	CA1-6367-000	D	1	CONTACT (GND), BACK COVER
	CA1-6368-000	E	1	PLATE, SAFETY LOCK
	CA1-6371-000	E	1	COVER
	CA1-6366-000	E	1	LUG, NECK STRAP
	CA1-6391-000	E	1	SPRING, PLATE
	CA1-6454-000	E	2	SCREW, AL COVER SHAFT
	CA1-6457-000	E	1	SPACER, FLEX
	CA1-6472-000	E	1	STABILIZER, CARTRIDGE
	CA1-6484-000 (XXX)	E	1	SHAFT, FILM GUIDE
	CA1-6485-000	E	1	INSULATOR
	CA1-6497-000	E	1	LIGHT SHIELD
	GG9-2670-000	D	1	AL COVER ASSY
	CS1-6635-000 (XXX)	E	1	SPRING
	CY1-1247-000	E	1	BODY
	XA1-1170-357		1	SCREW, CROSS-RECESS, PH
	XA1-1170-359		1	SCREW, CROSS-RECESS, PH
	XA4-8170-357		2	SCREW, CROSS-RECESS, PH
	X91-1737-760		2	SCREW, CROSS-RECESS, PH
	X99-0481-000		1	SCREW, CROSS-RECESS, PH
	X99-0566-000		3	SCREW, CROSS-RECESS, PH
	X99-0571-000		2	SCREW, CROSS-RECESS, PH

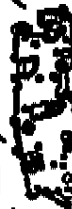
CANON T90



CGI-0871-000
(ACF-684)



(See Pg. 16)



X9I-1436-300

CAI-6759-000

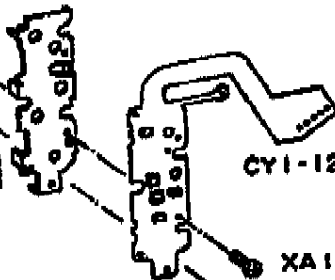
X9I-1436-300

N.S.



CYI-1251-000

N.S.



CYI-1250-000

XAI-7140-227

XAI-7140-227_{X3}

N.S.



N.S.



N.S.

CFI-1732-000

CSI-0892-000

CSI-6741-000

CSI-6742-000

CSI-6731-000

XAI-7140-227_{X2}

N.S.



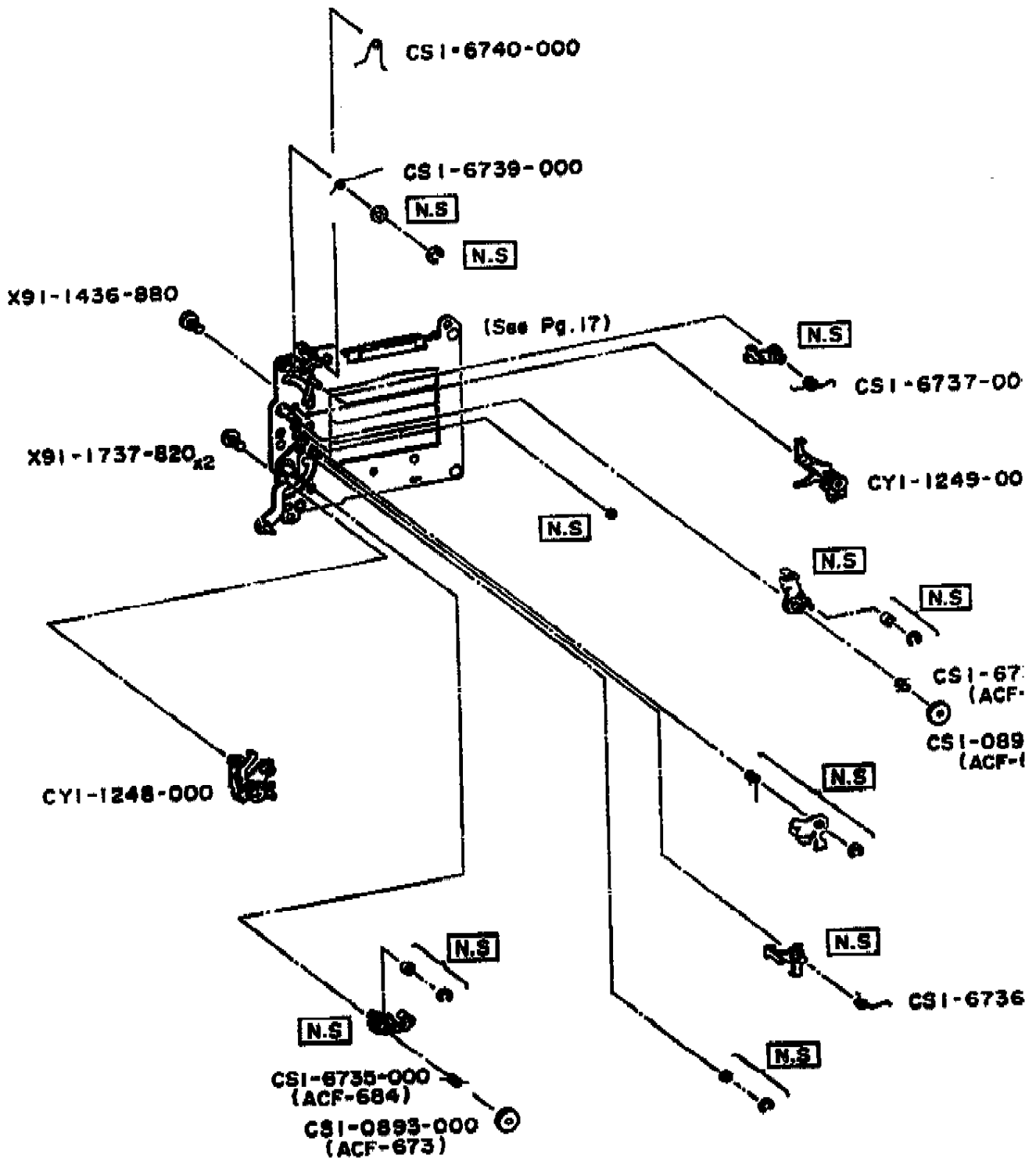
P A R T S L I S T

REF. NO. C12-1902

SHUTTER UNIT 1

NEW	PARTS NO.	CLASS	QTY	DESCRIPTION
	CA1-6759-000	E	1	SHIELD, LIGHT
	CF1-1732-000	D	1	BASE, X CONTACT
	CG1-0871-000	D	1	SHUTTER UNIT
	CS1-0891-000	E	1	SHAFT, 1ST CURTAIN WORM
	CS1-0892-000	E	1	SHAFT, 2ND CURTAIN WORM
	CS1-6731-000	E	1	SPRING
	CS1-6741-000	E	1	SPRING
	CS1-6742-000	E	1	SPRING
	CY1-1250-000	E	1	SHUTTER FLEX ASSY
	CY1-1251-000	E	1	SHUTTER MAGNET ASSY
	XA1-7140-227		6	SCREW, CROSS-RECESS, PH
	XD2-1100-172		1	E RING
	X91-1436-300		2	SCREW, CROSS-RECESS, PH

CANON T90



P A R T S L I S T

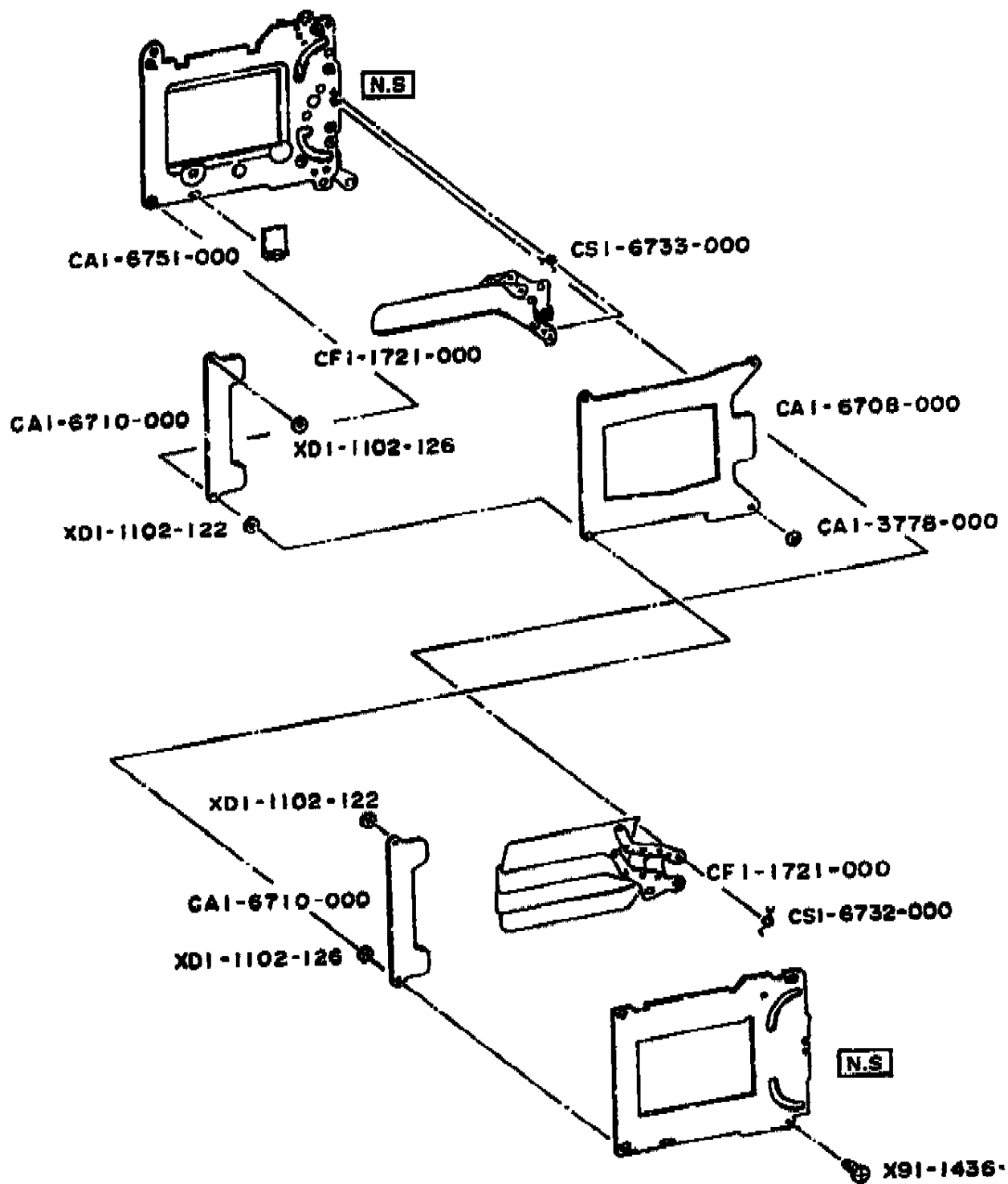
P.

REF. NO. C12-1902

SHUTTER UNIT II

NEW	PARTS NO.	CLASS	QTY	DESCRIPTION
	CS1-0893-000	E	2	GEAR
	CS1-6735-000	E	2	SPRING
	CS1-6736-000	E	1	SPRING
	CS1-6737-000	E	1	SPRING
	CS1-6739-000	E	1	SPRING
	CS1-6740-000	E	1	SPRING
	CY1-1248-000	D	1	1ST CURTAIN BRAKE ASSY
	CY1-1249-000	D	1	2ND CURTAIN BRAKE ASSY
	X91-1436-880		1	SCREW, CROSS-RECESS, PH
	X91-1737-820		2	SCREW, CROSS-RECESS, PH

CANON T90



P A R T S L I S T

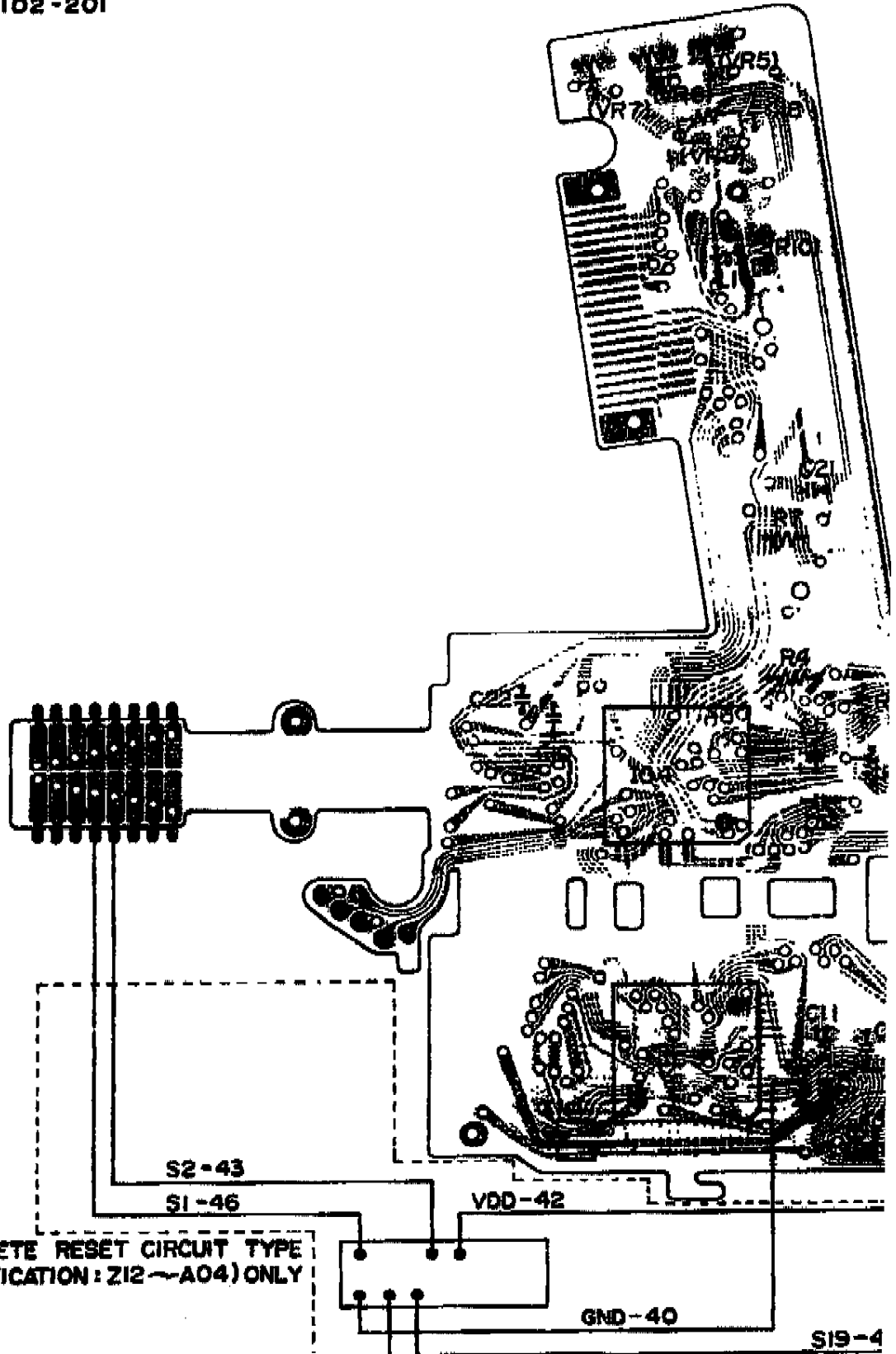
1

REF. NO. C12-1902

SHUTTER UNIT III

NEW	PARTS NO.	CLASS	QTY	DESCRIPTION
	CA1-3778-000	E	1	RUBBER, STOPPER-A
	CA1-6708-000	E	1	PLATE, SEPARATOR
	CA1-6710-000	E	2	SPACER
	CA1-6751-000	E	1	DAMPER, SHUTTER CURTAIN
	CF1-1721-000	C	2	CURTAIN, SHUTTER
	CS1-6732-000	E	1	SPRING
	CS1-6733-000	E	1	SPRING
	XD1-1102-122		2	WASHER
	XD1-1102-126		2	WASHER
	X91-1436-300		1	SCREW, CROSS-RECESS, PH

PCB DIAGRAM
CY8-1421-102-201



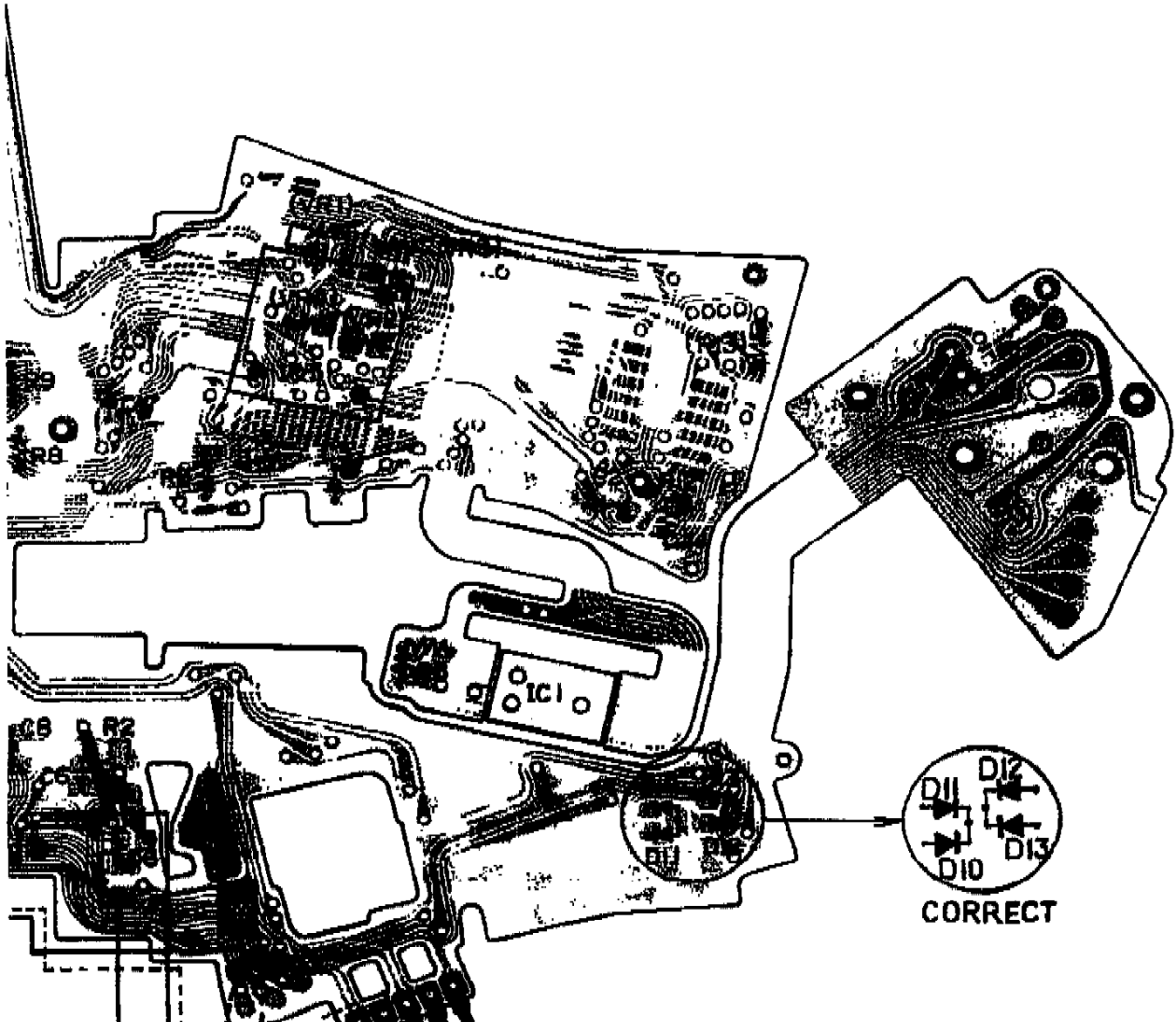
+

DISCRETE RESET CIRCUIT TYPE
(CLASSIFICATION: Z12~A04) ONLY

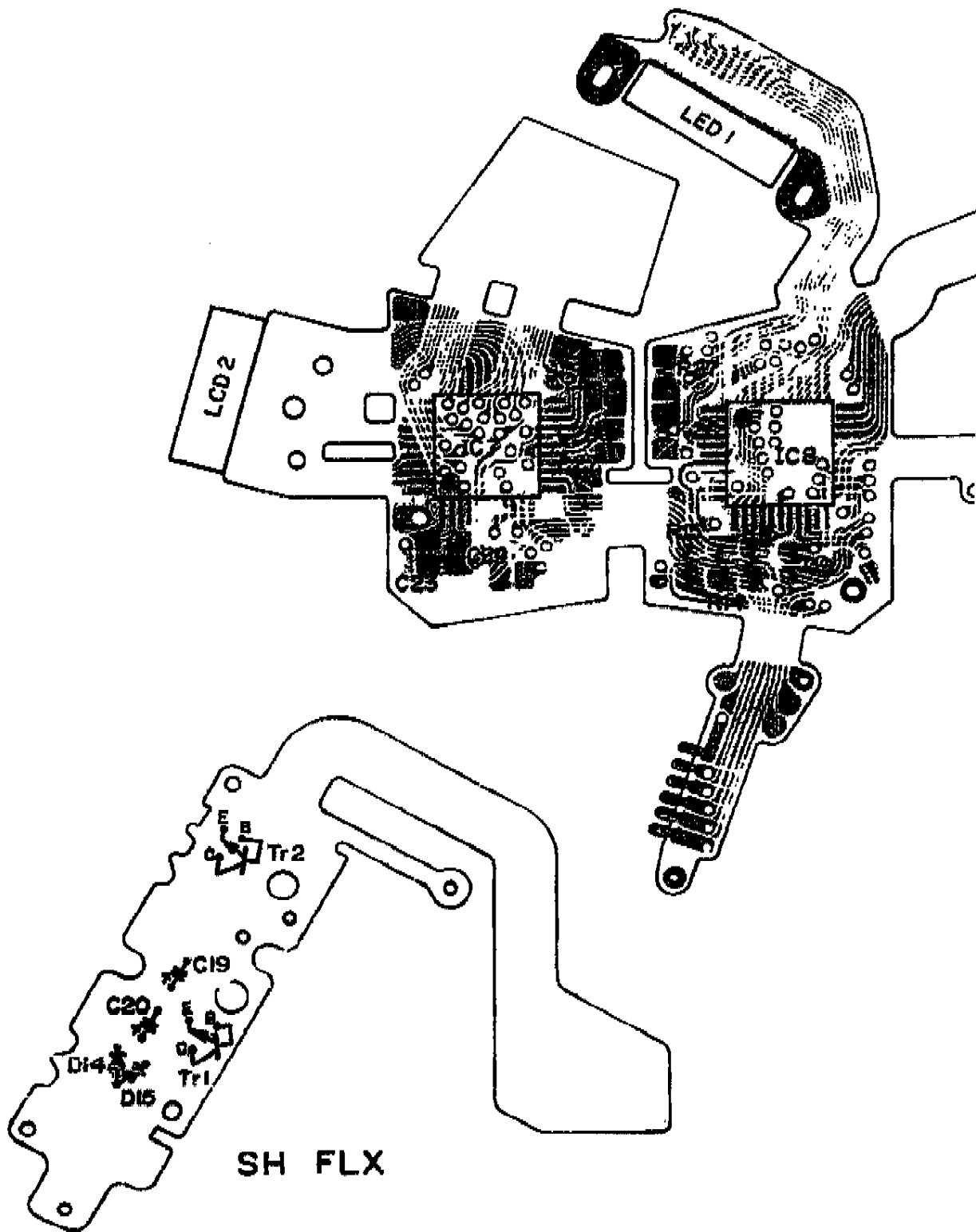
S19-4

ANON T90

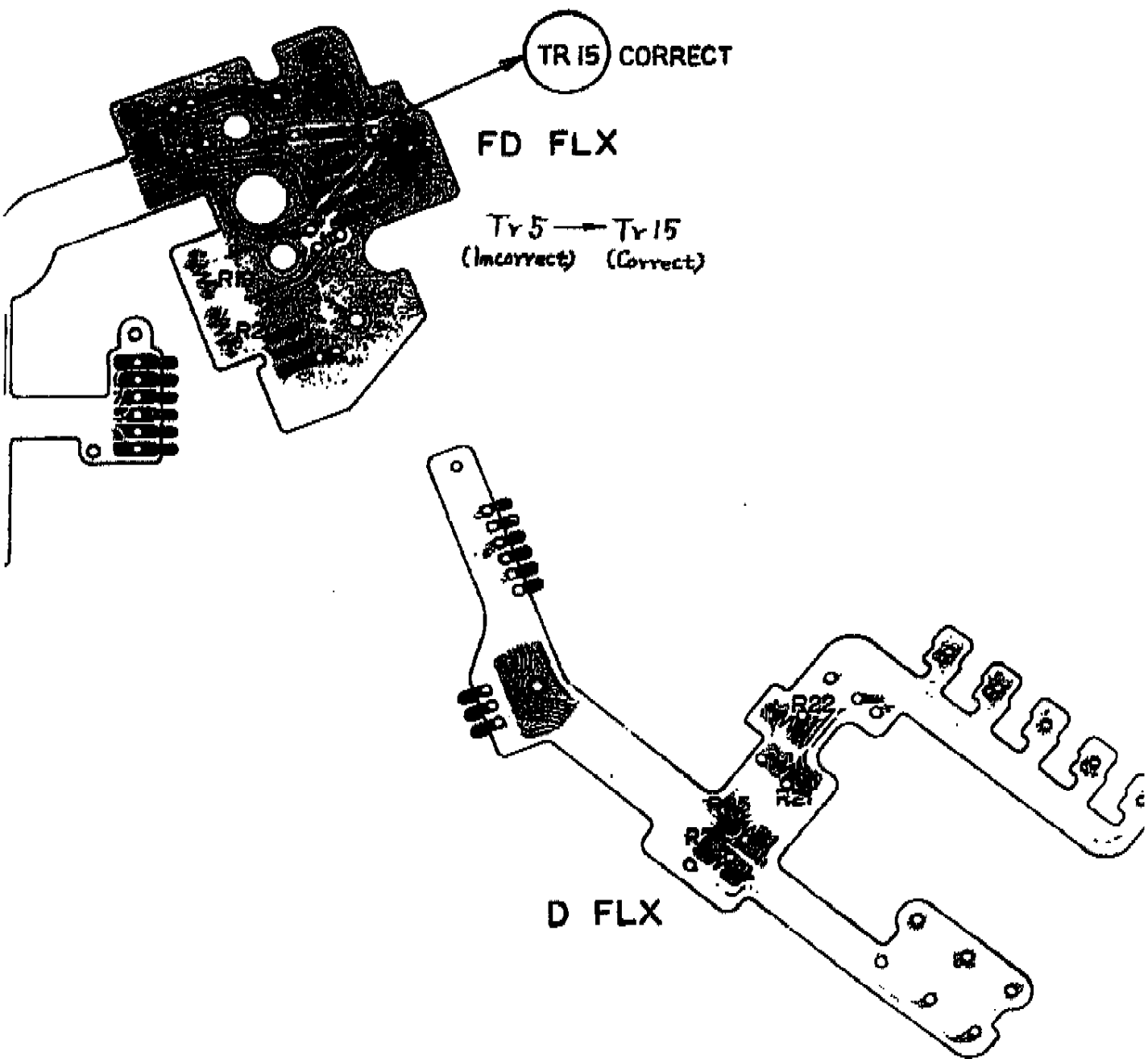
() Characters: Indicate components on the blue pattern of the board.



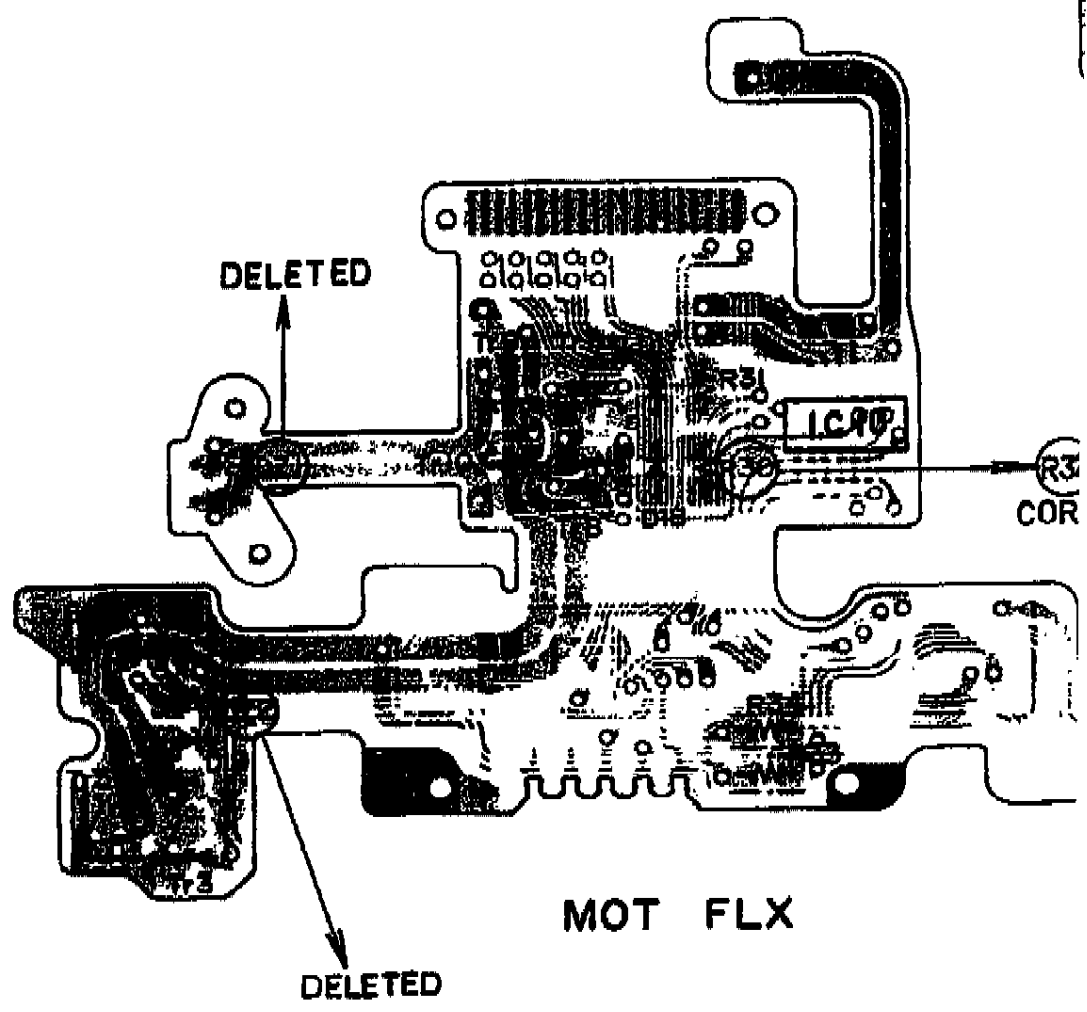
PCB DIAGRAM (FD, SH, D FLX)
CY8-1421-102-202



CANON T90

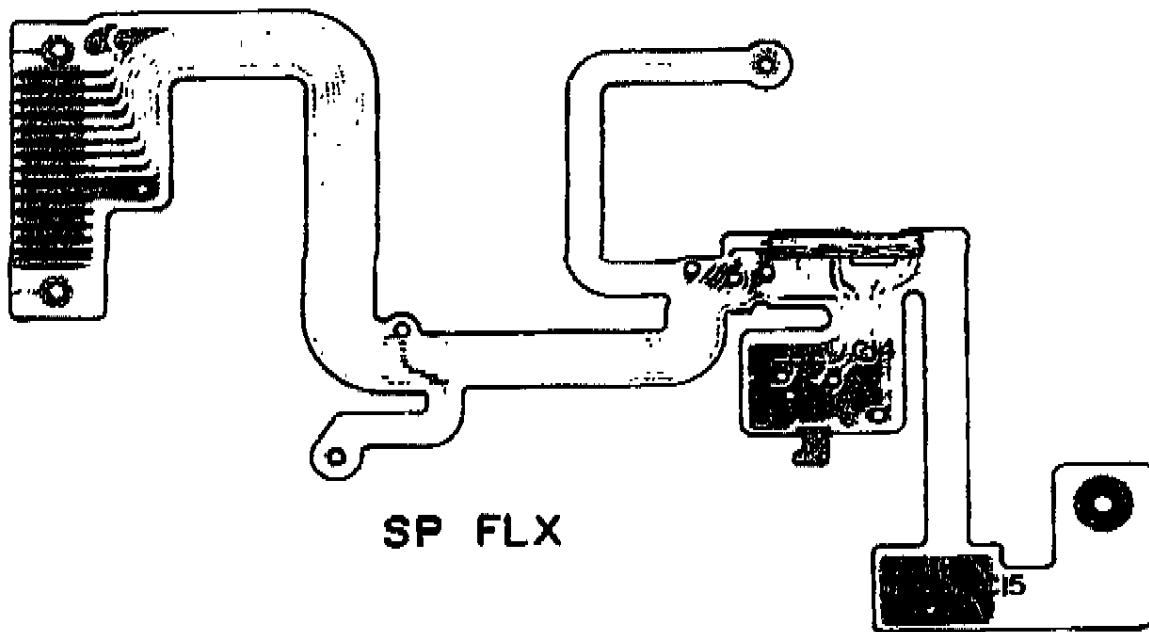


PCB DIAGRAM (MOT, SP FLX)
CY8-1421-102-203



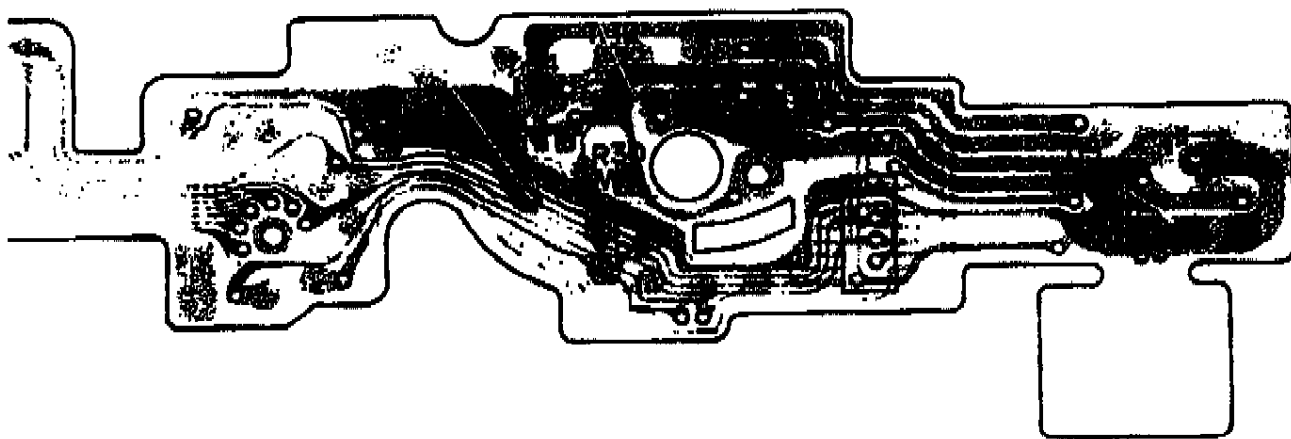
+

CANON T90



SP FLX

Ⓡ32
CORRECT



WIRING DIAGRAM

CYB-1421-102-204

